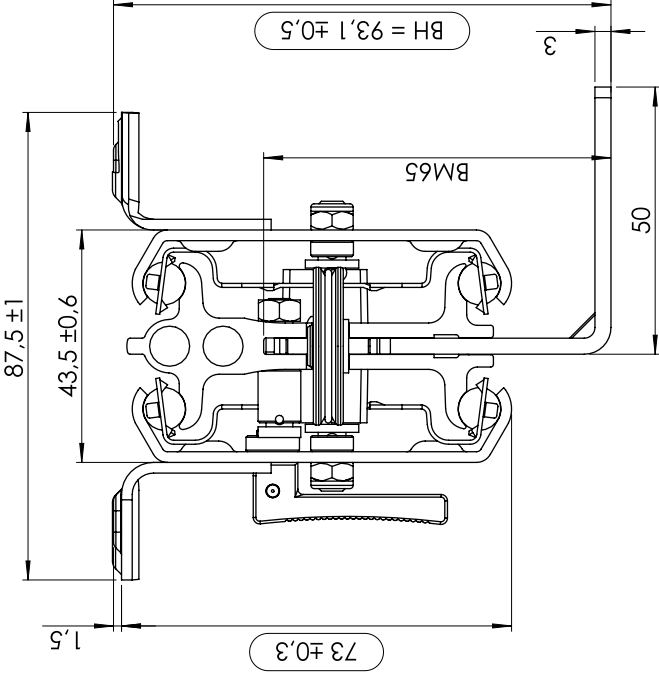
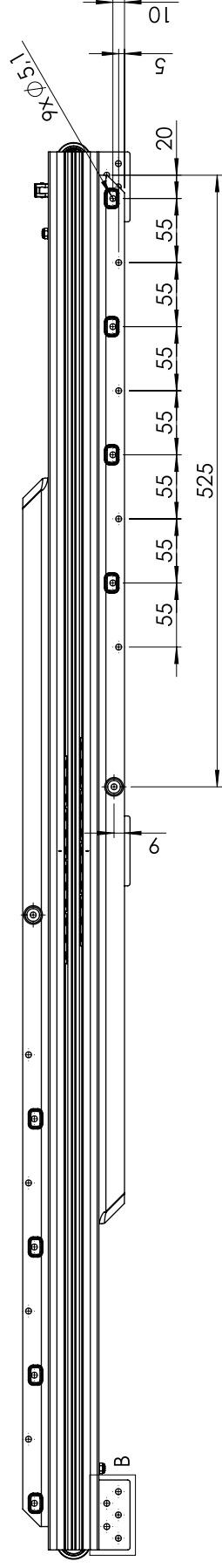
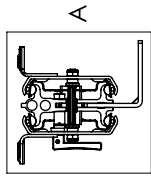
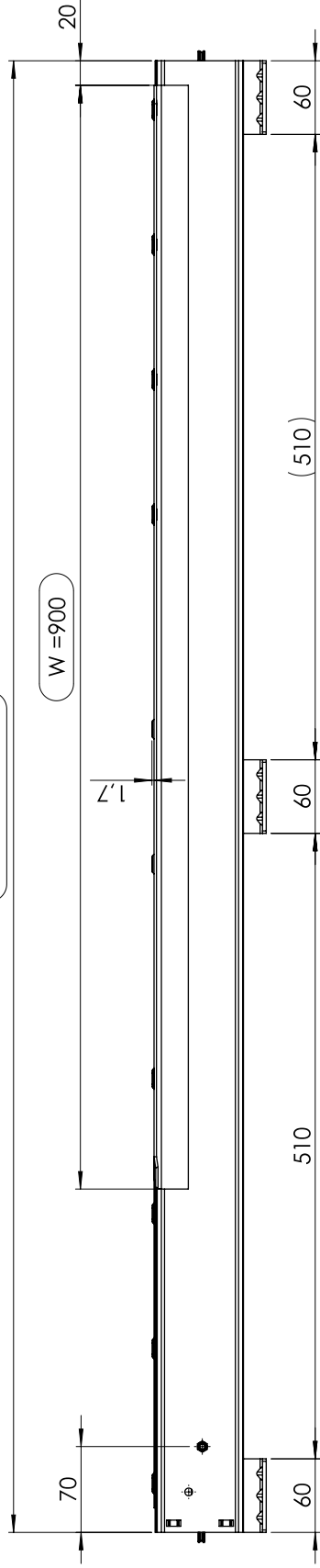
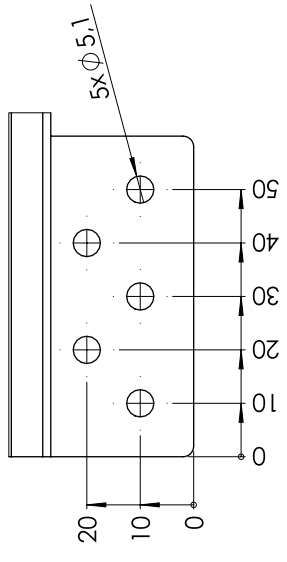


AP + MP = 1200

W = 900



DETAIL B 1 : 1

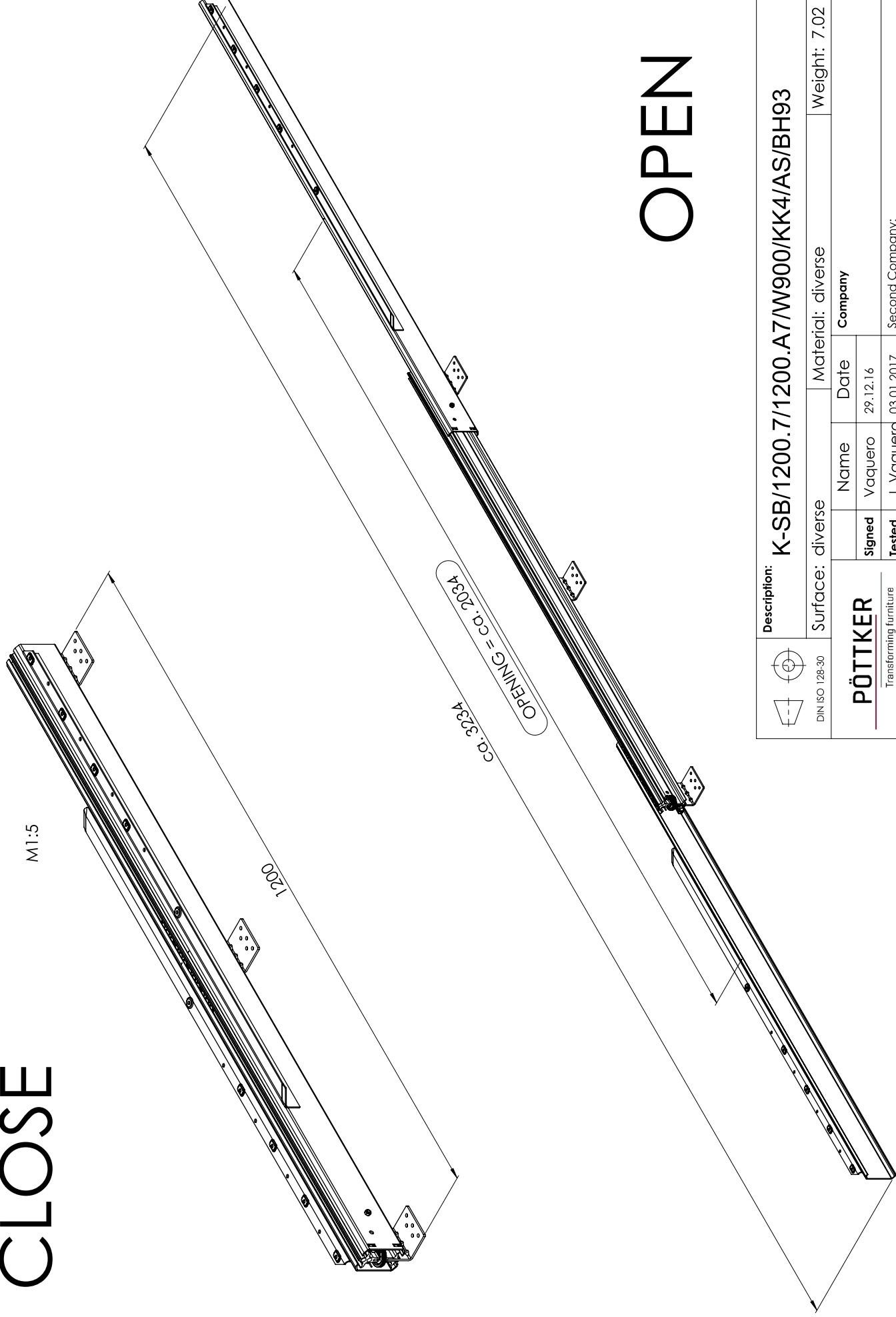


Index	Change	Date	Name												
Description: K-SB/1200.7/1200.A7/W900/KK4/AS/BH93															
Surface: diverse		Material: diverse													
Weight: 7.02		kg													
<table border="1"> <thead> <tr> <th>Signed</th> <th>Name</th> <th>Date</th> <th>Company</th> </tr> </thead> <tbody> <tr> <td></td> <td>Vaquero</td> <td>29.12.16</td> <td></td> </tr> <tr> <td></td> <td>J. Vaquera</td> <td>03.01.2017</td> <td>Second Company:</td> </tr> </tbody> </table>				Signed	Name	Date	Company		Vaquero	29.12.16			J. Vaquera	03.01.2017	Second Company:
Signed	Name	Date	Company												
	Vaquero	29.12.16													
	J. Vaquera	03.01.2017	Second Company:												
PÖTTKER Transforming furniture															
DIN ISO 128-30															
General tolerance: DIN ISO 2768 - m		Item No: 77120626													
Scale: 1:4		Page: 1/3													
A3															

opening : ca. 2034 mm

CLOSE

M1:5



OPEN

		Description: K-SB/1200.7/1200.A7/W900/KK4/AS/BH93		Weight: 7.02 kg	
DIN ISO 128-30		Surface: diverse	Material: diverse		
PÖTTKER Transforming furniture	Signed Vaquero	Name Vaquero	Date 29.12.16	Company	
	Tested J. Vaquero	J. Vaquero	03.01.2017	Second Company:	
General tolerance: DIN ISO 2768 - m			Item No: 77120626	Scale: 1:7	Page: 2/3
					A3