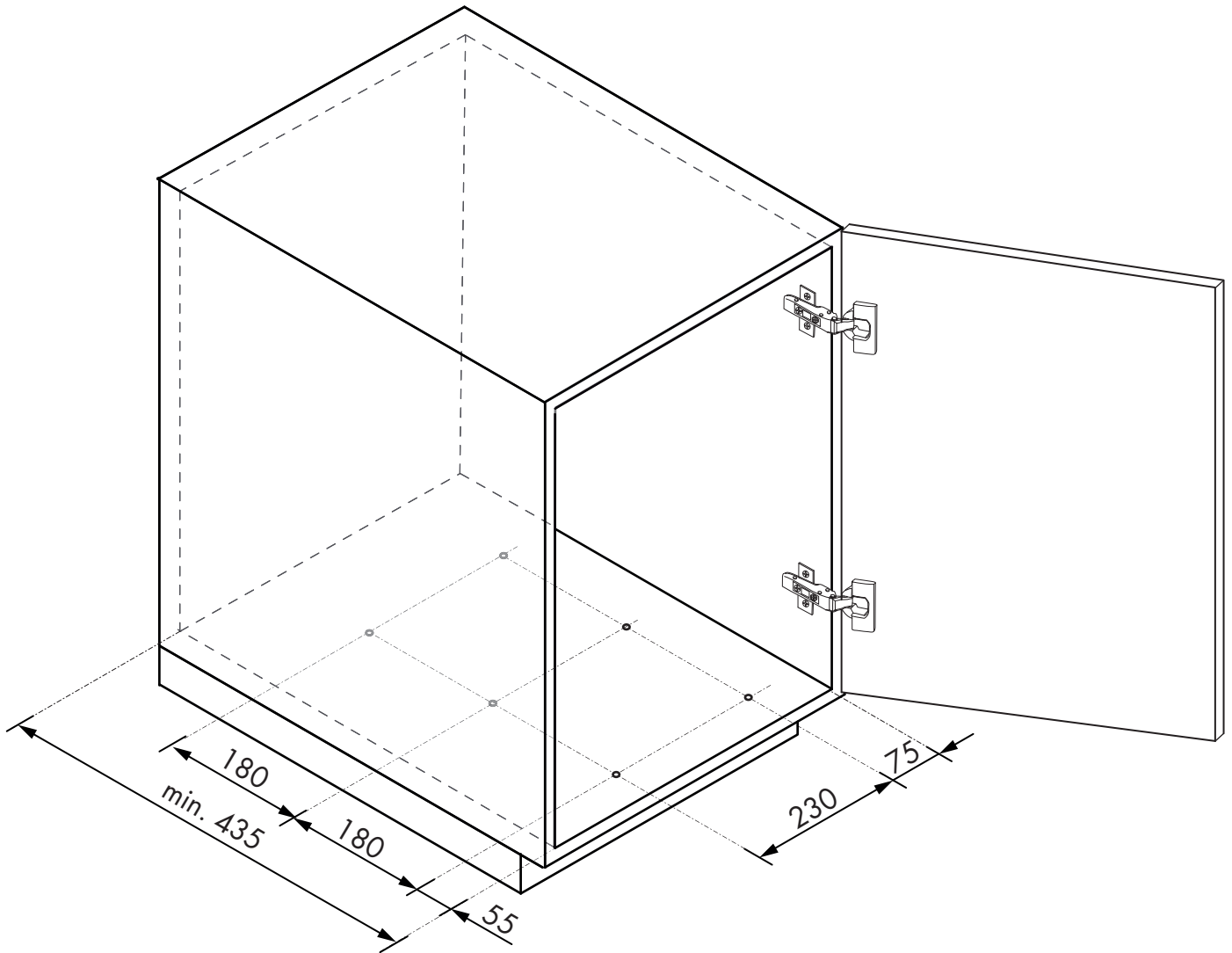
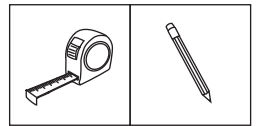


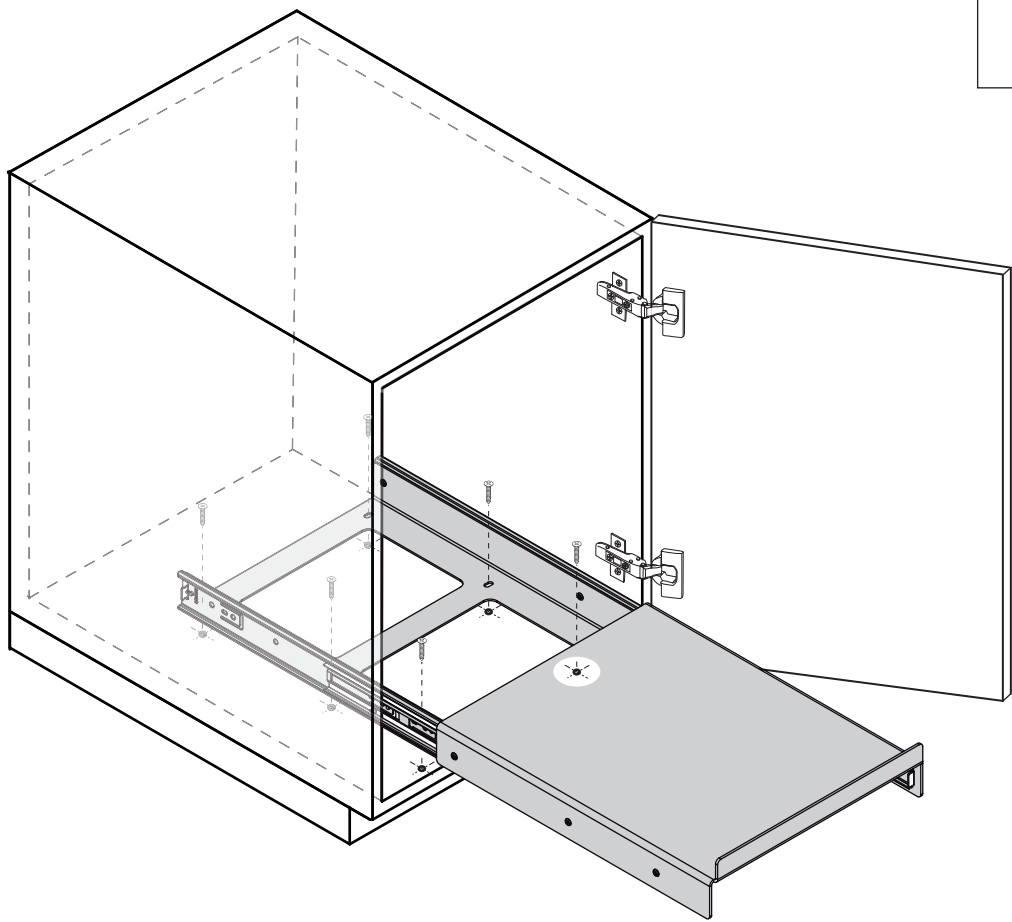


1

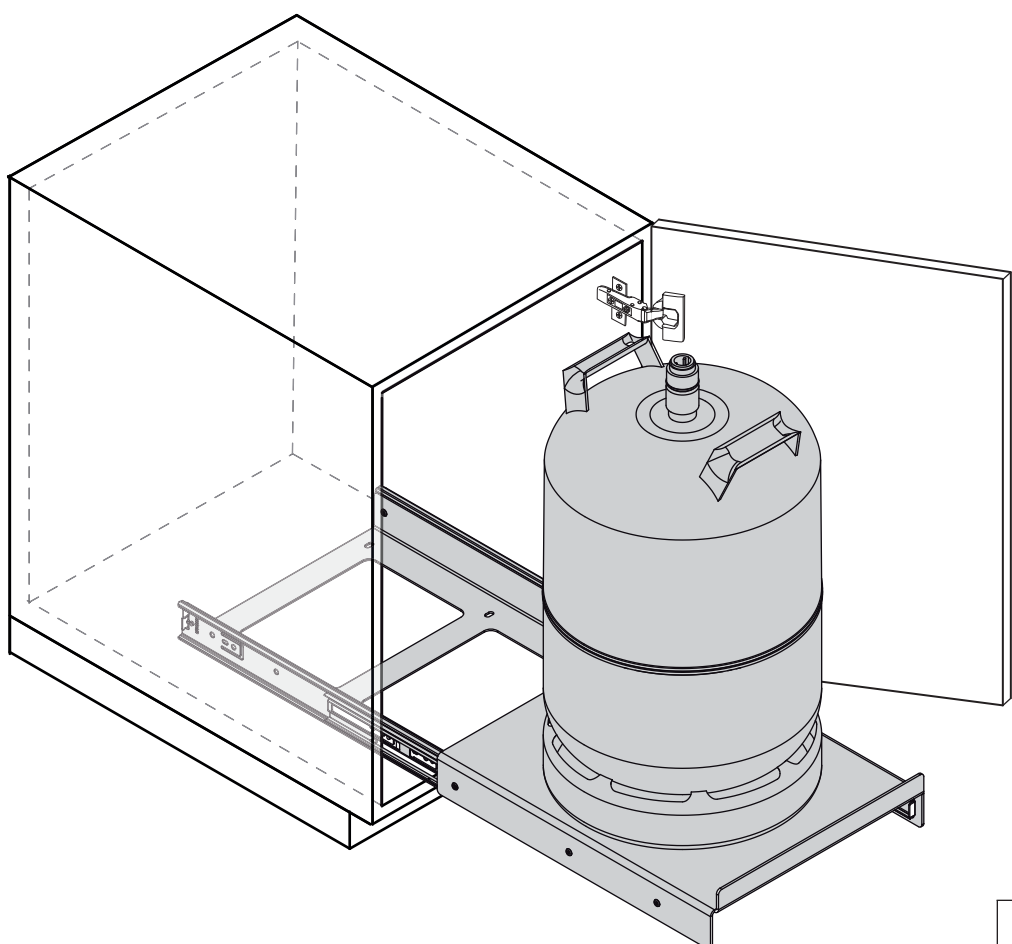


2

$\varnothing 4 \times 16 \text{ mm}$  x6	
---	--



3



		
---	---	---