



PATENT PENDING

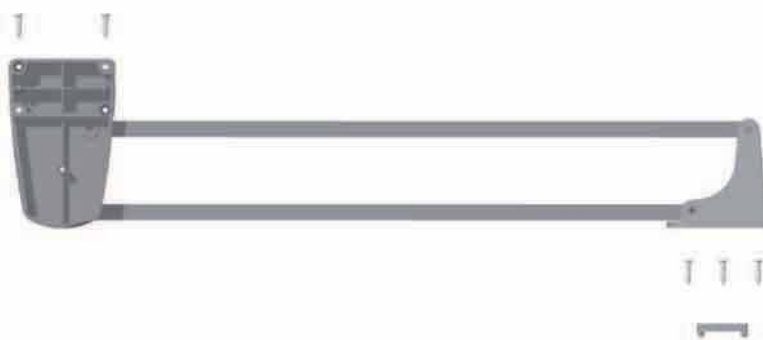
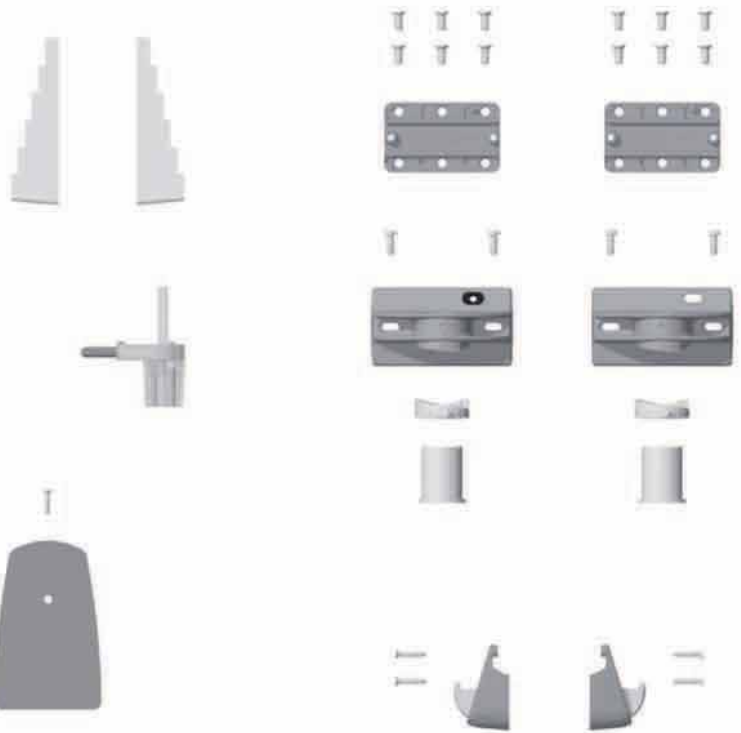
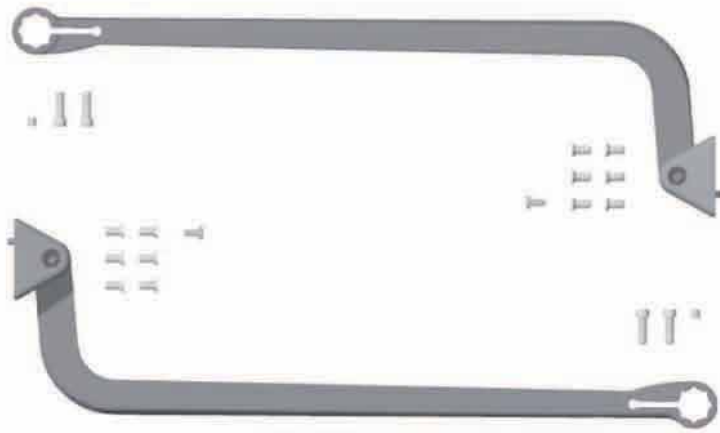
V1 V2 V3



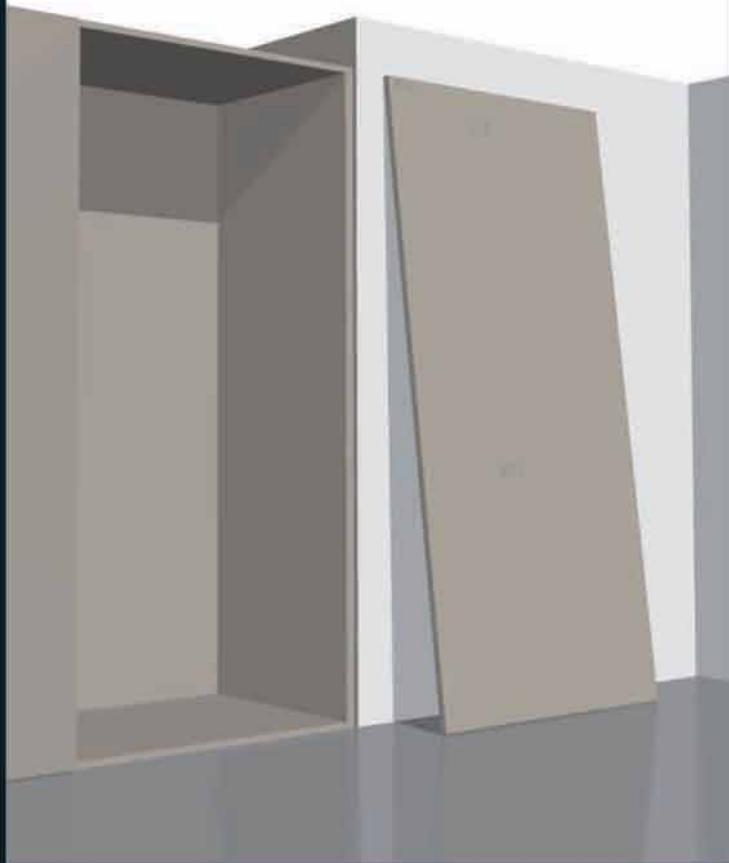
MONTAGGIO
MONTAGE
MONTAGE
ASSEMBLY
MONTAJE

MOTION-V

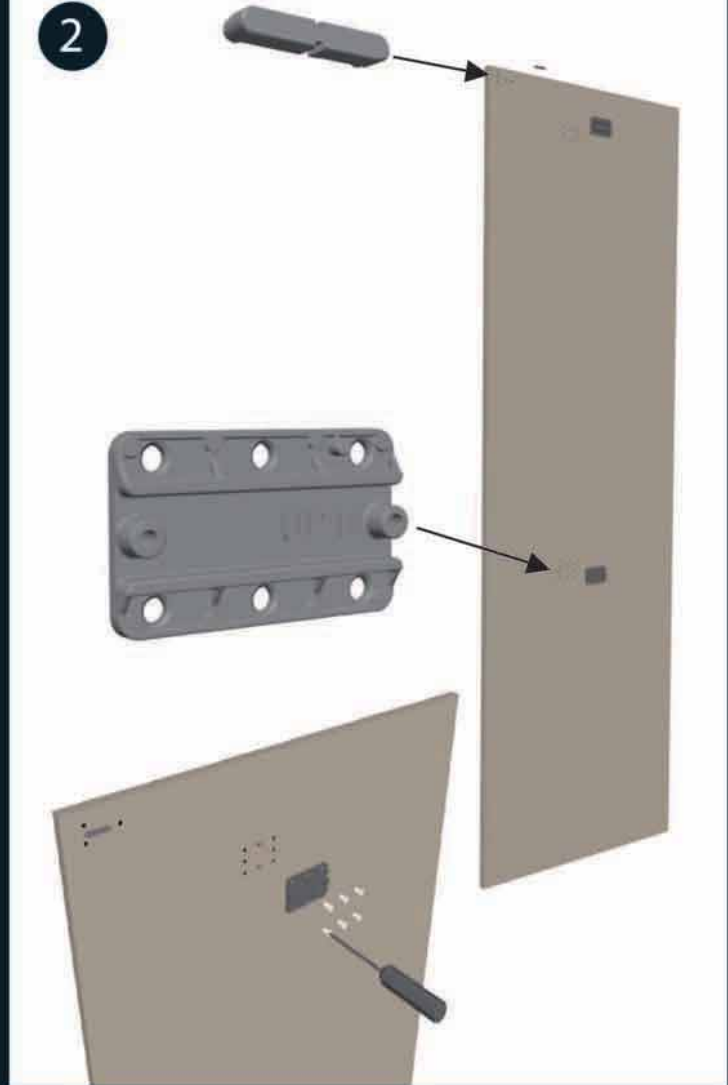
KIT MOTION-V V1_V2_V3



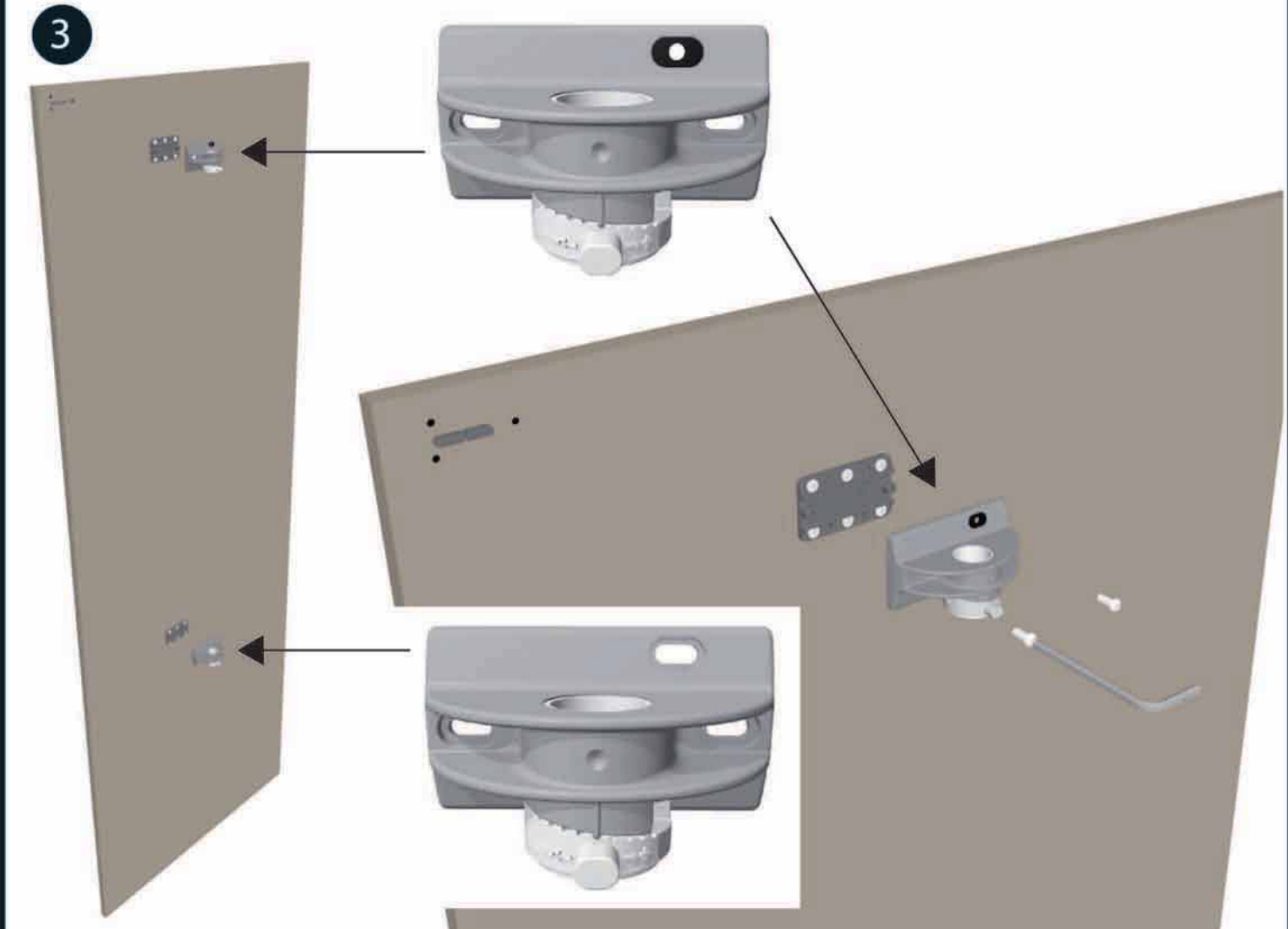
1

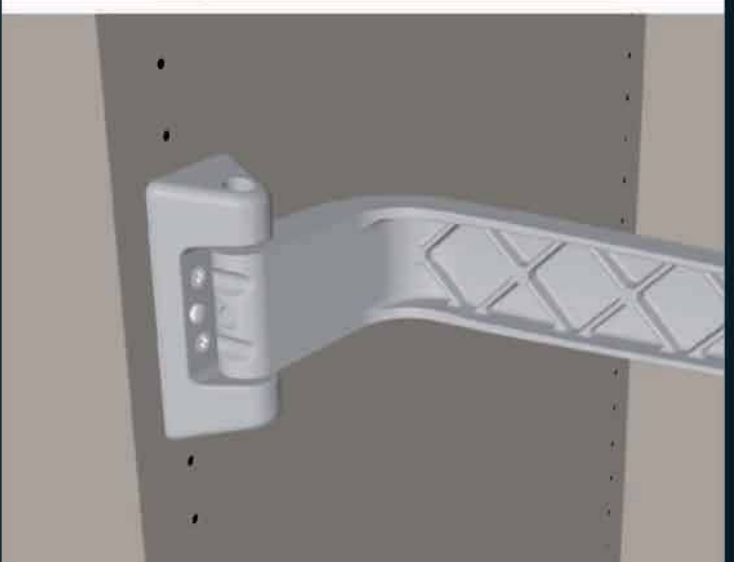
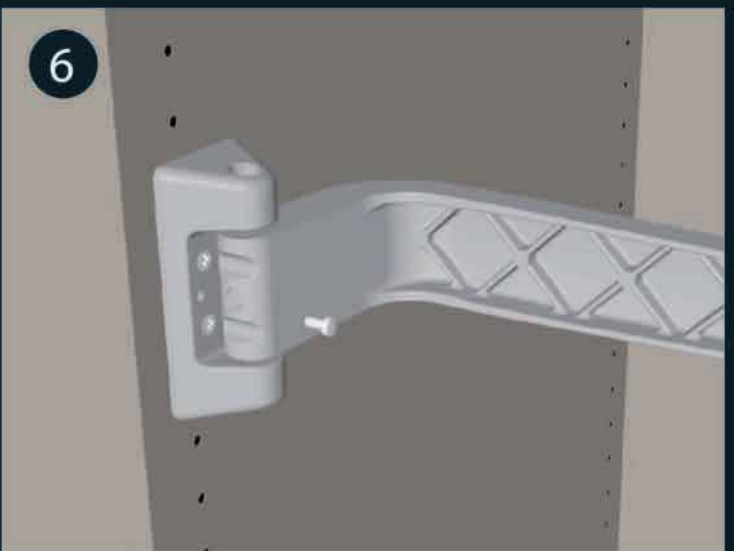
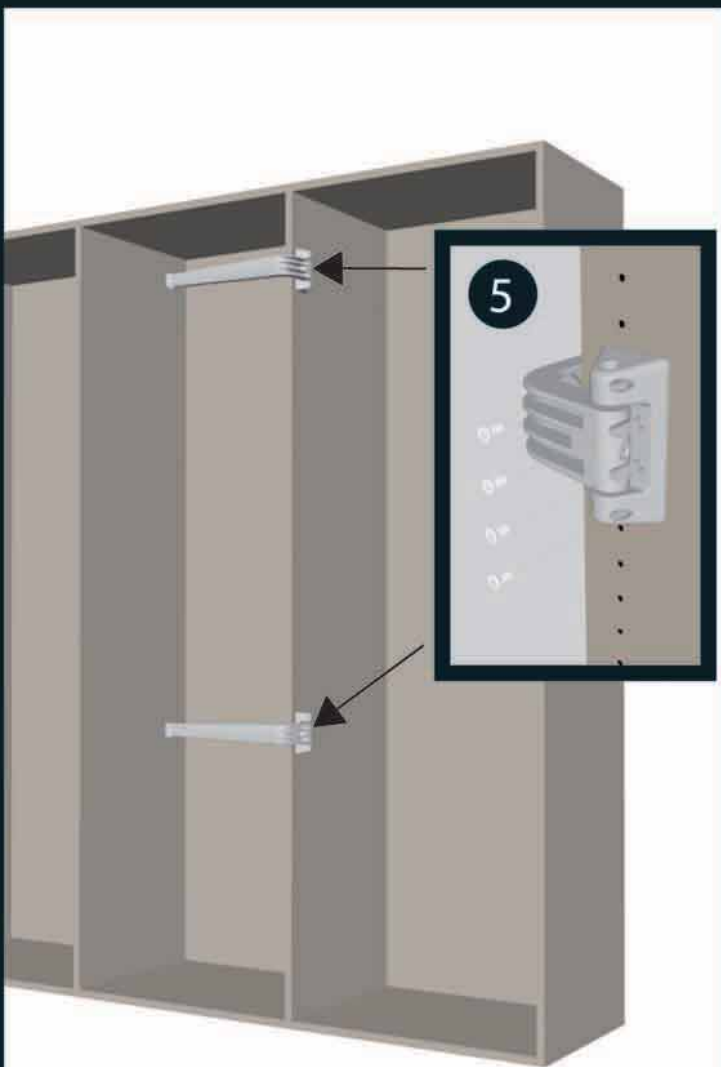
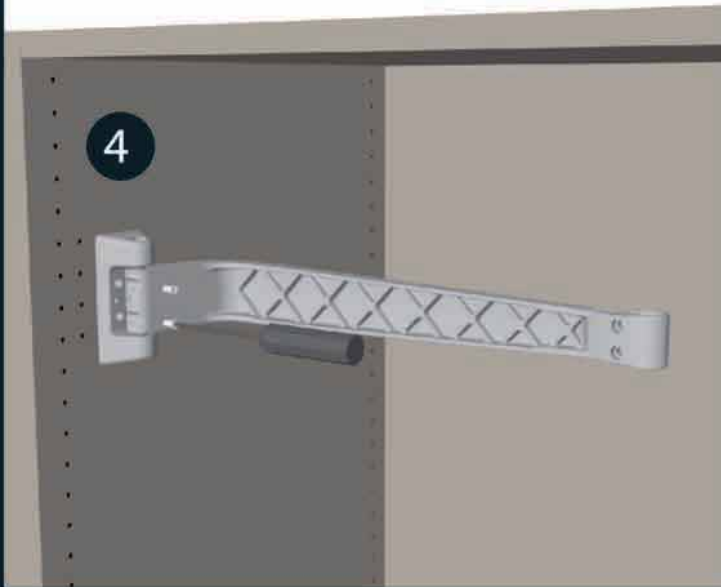
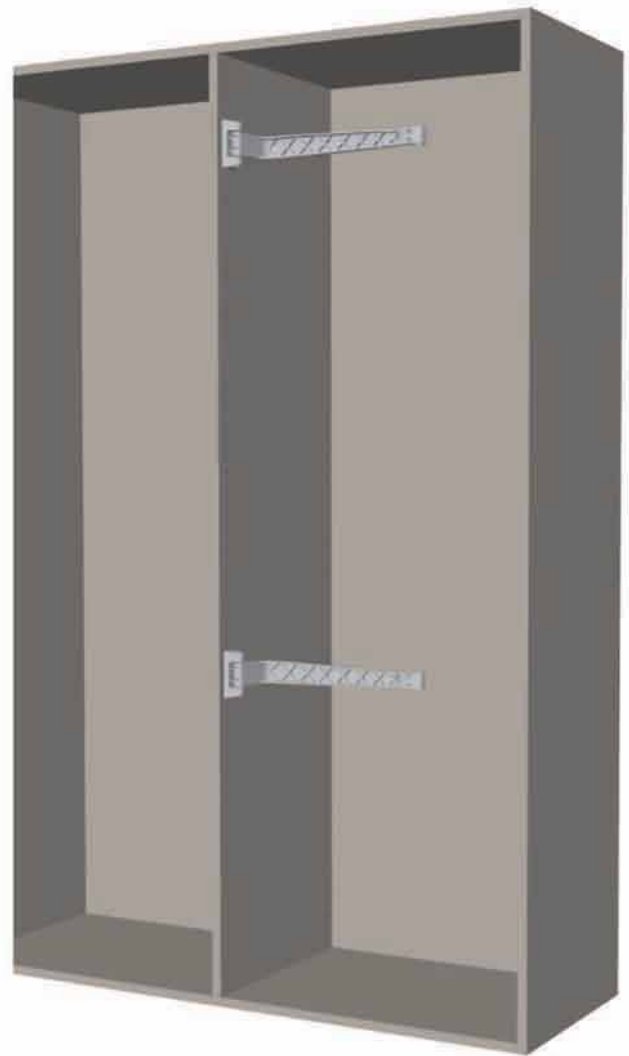
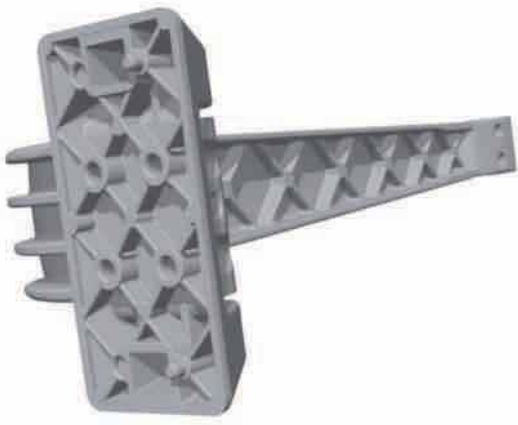


2

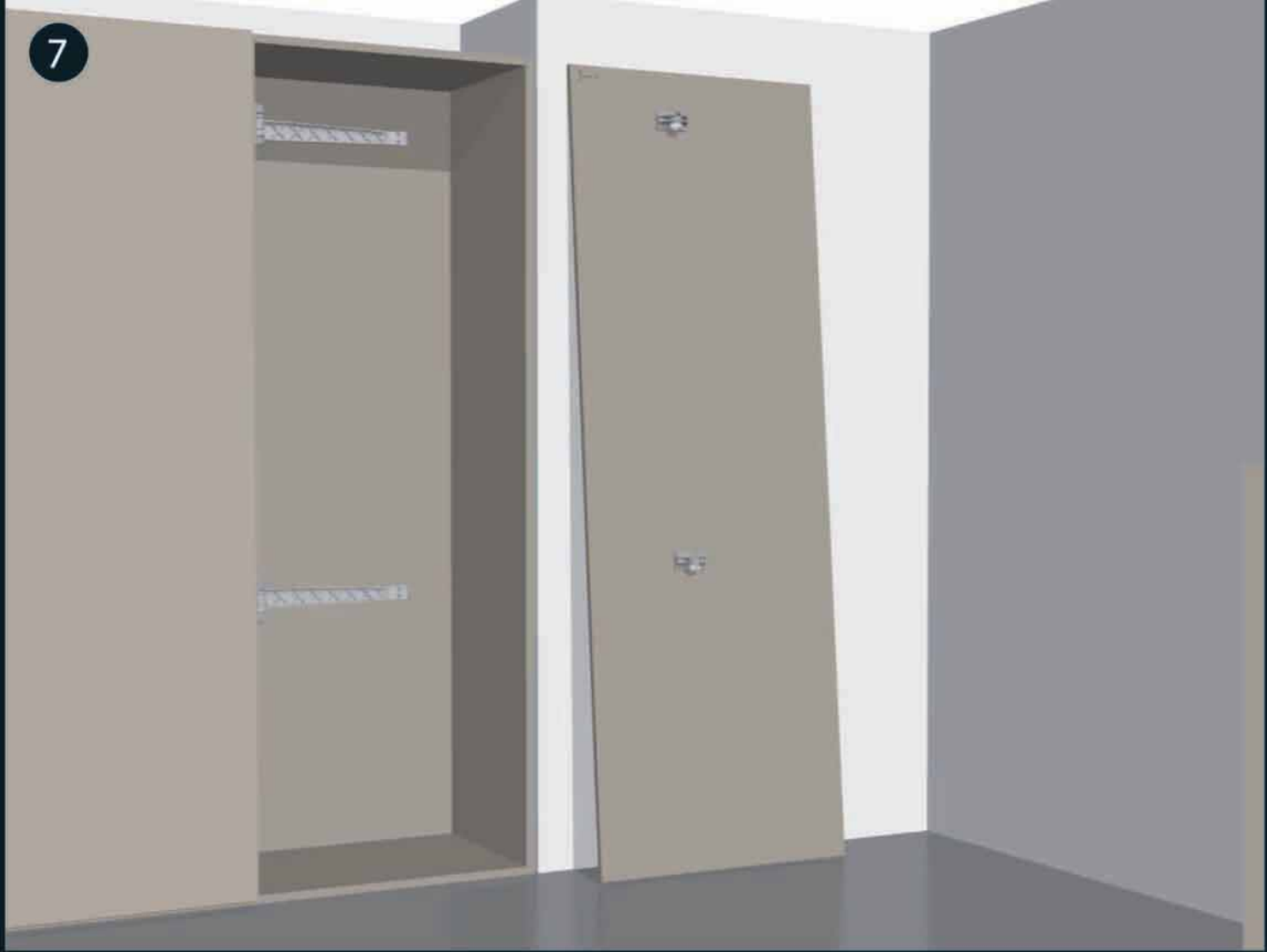


3

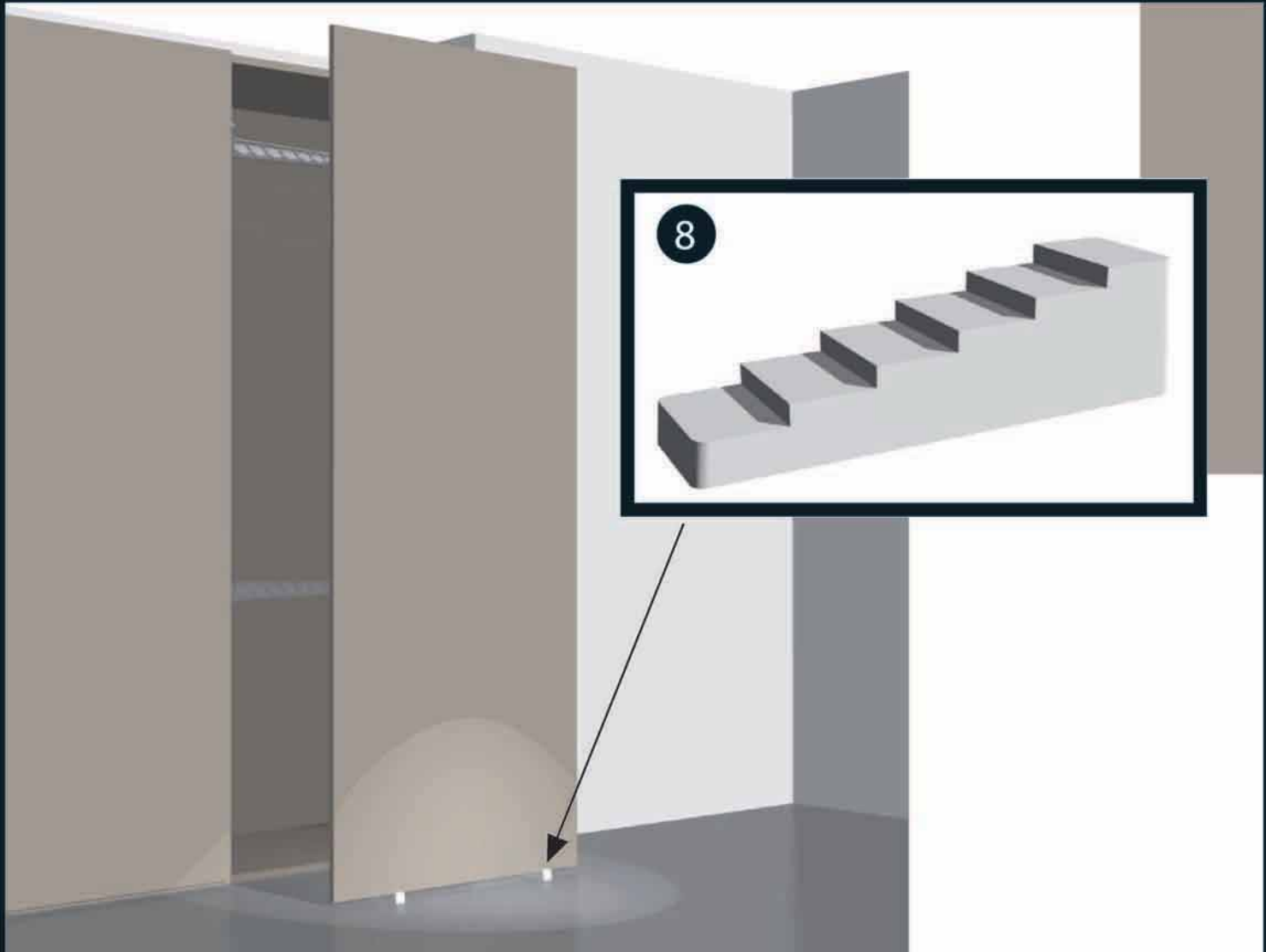
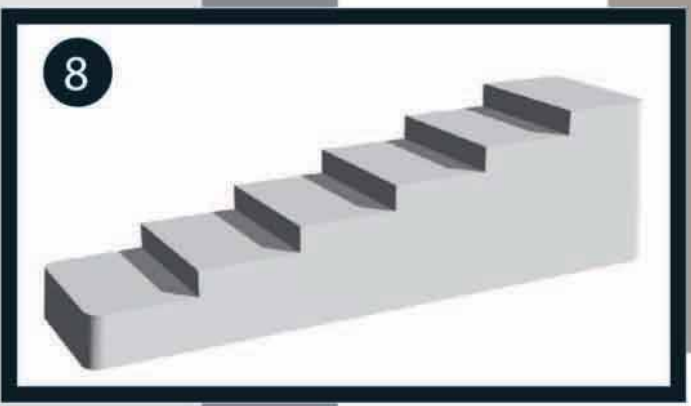


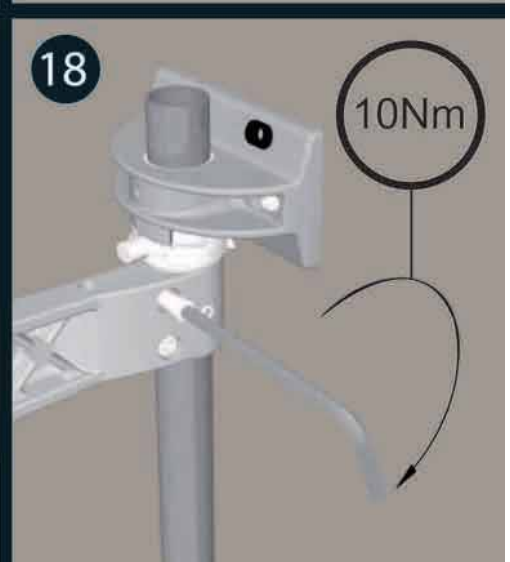
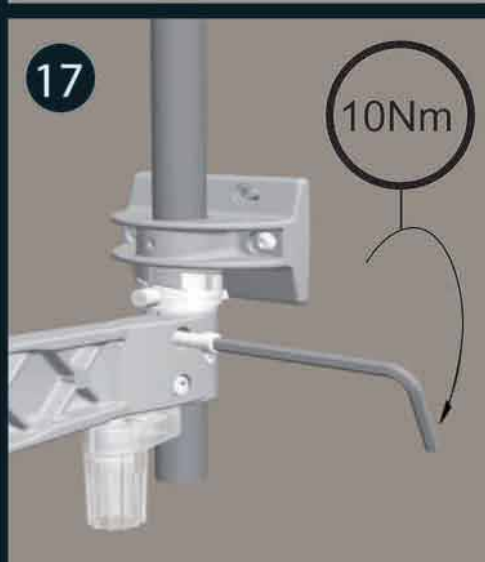
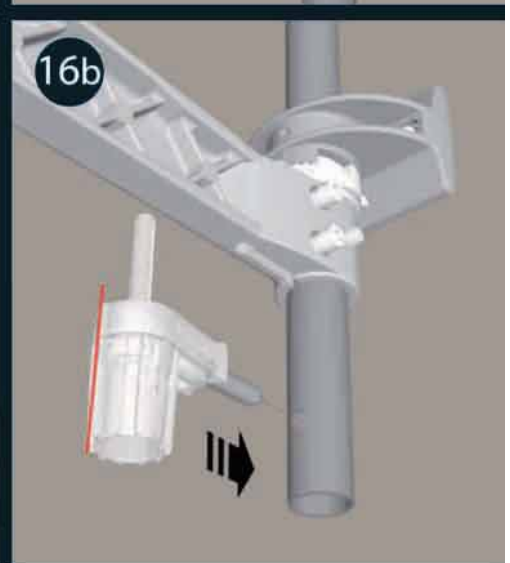
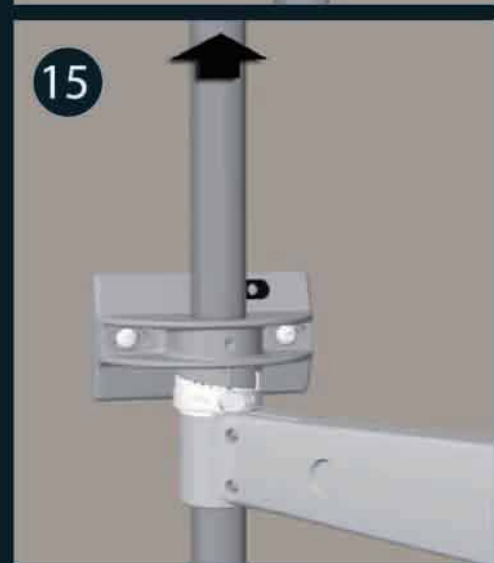
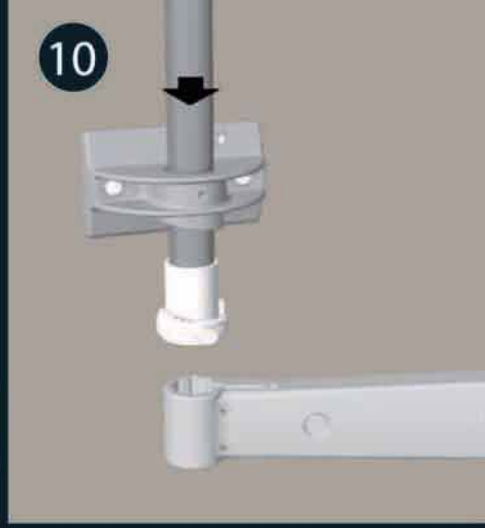


7

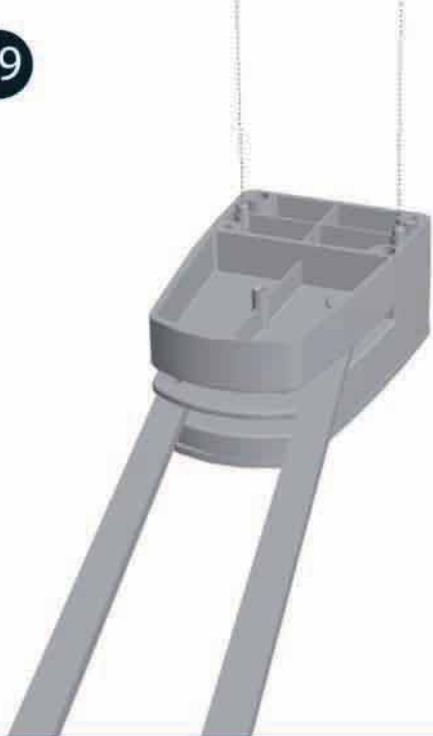


8

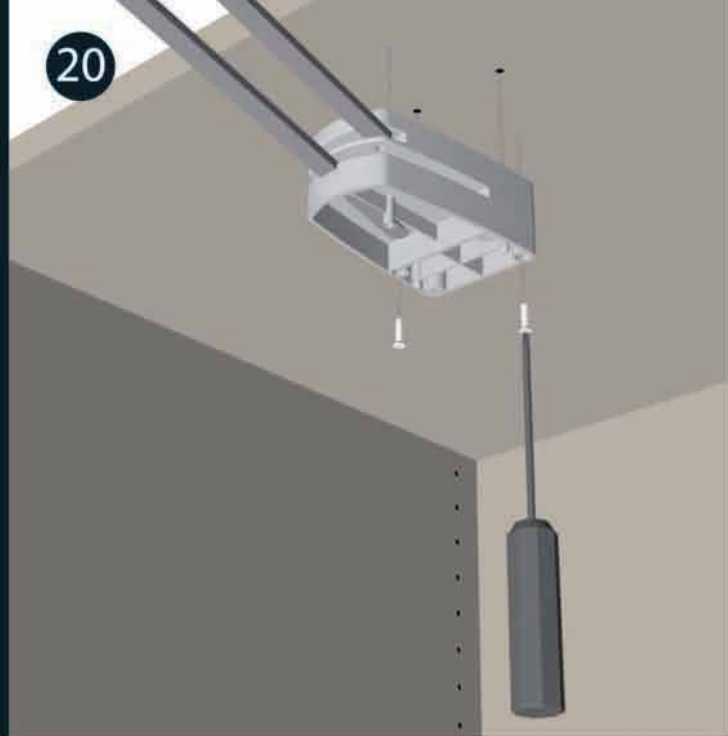




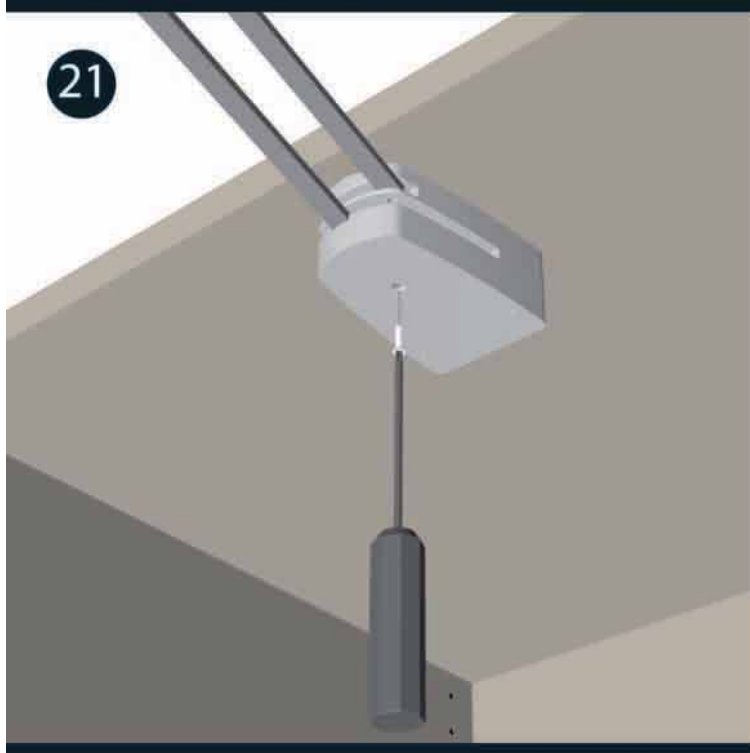
19



20



21



22



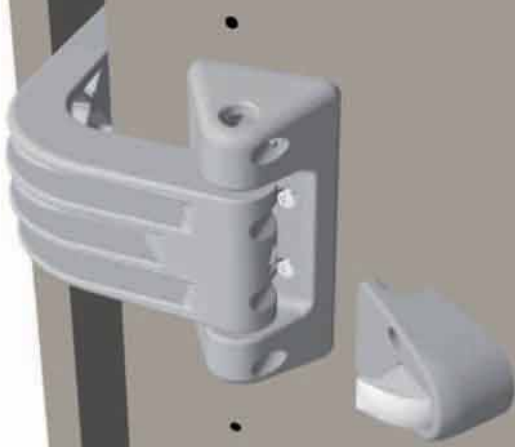
23



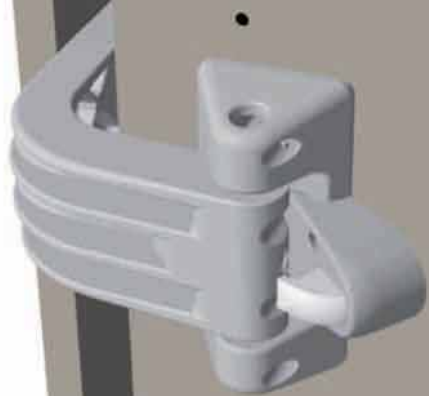
24



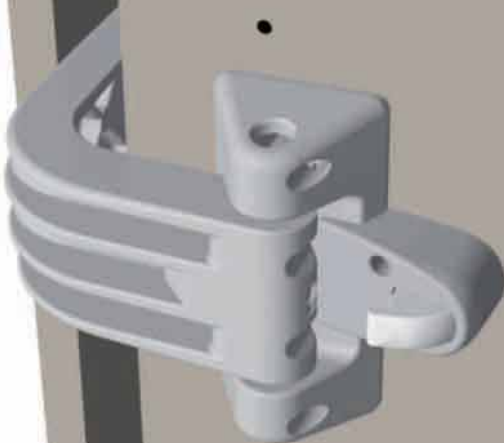
25



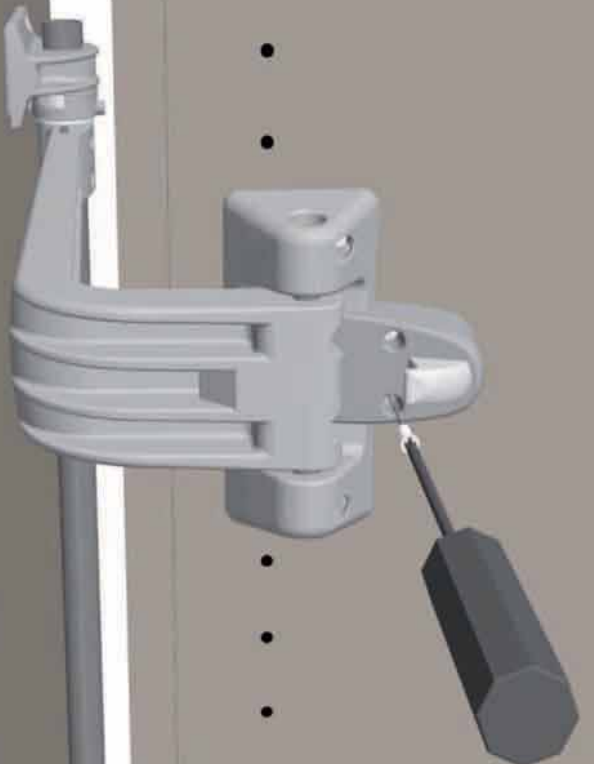
26

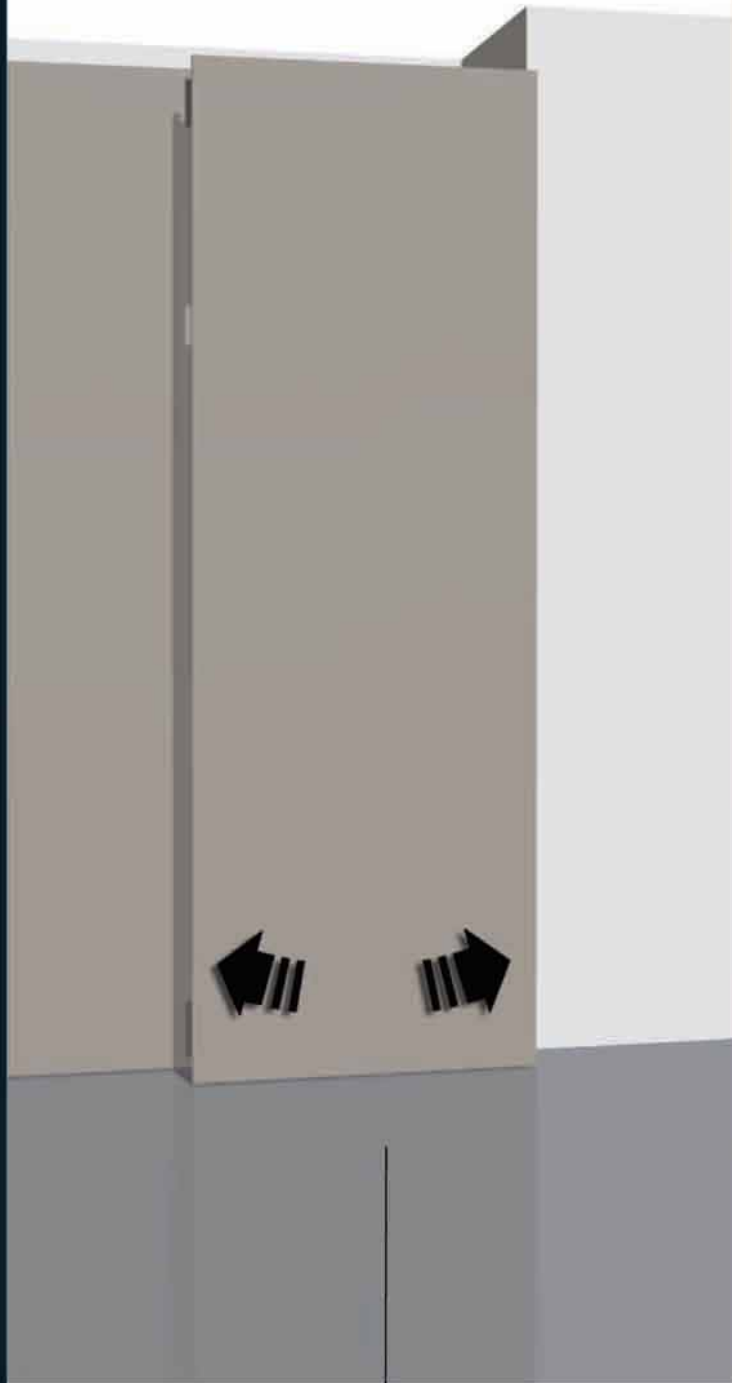


27

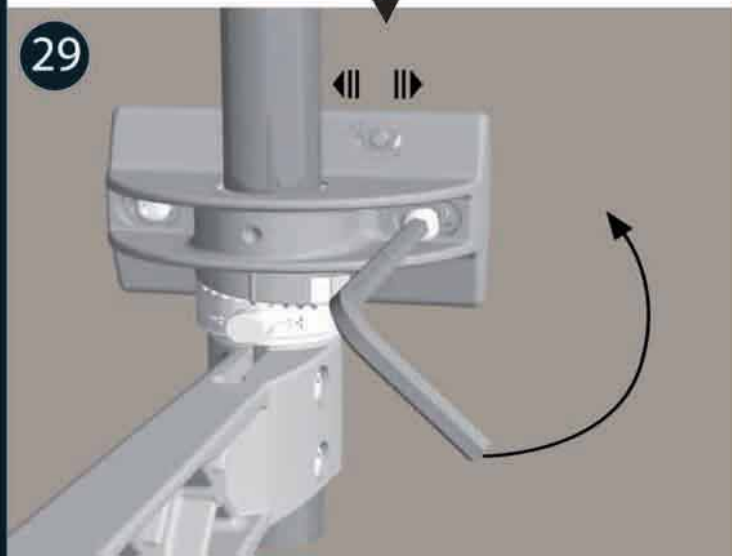


28





29



30

