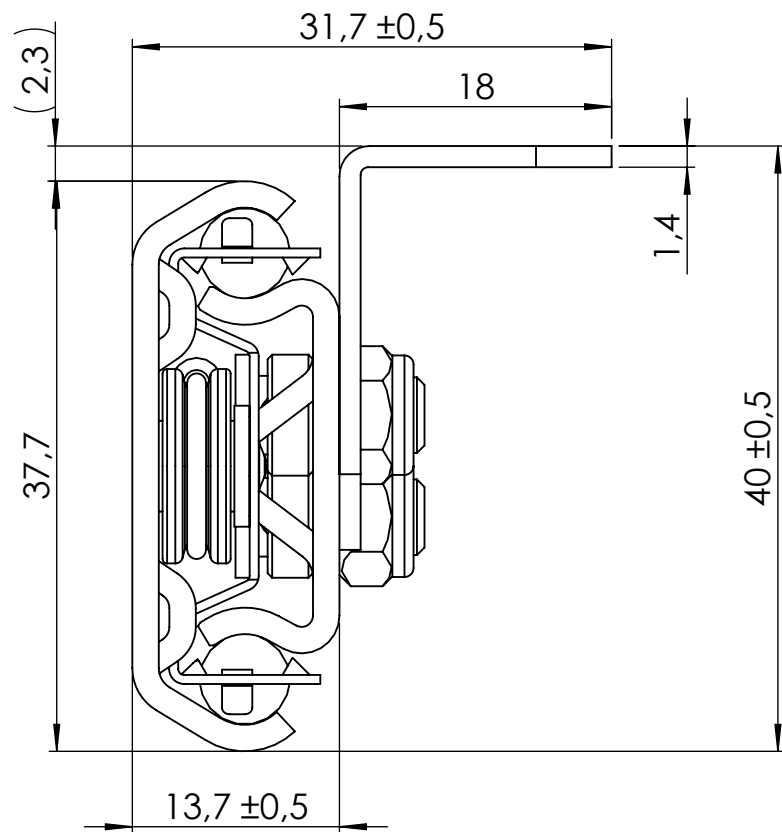
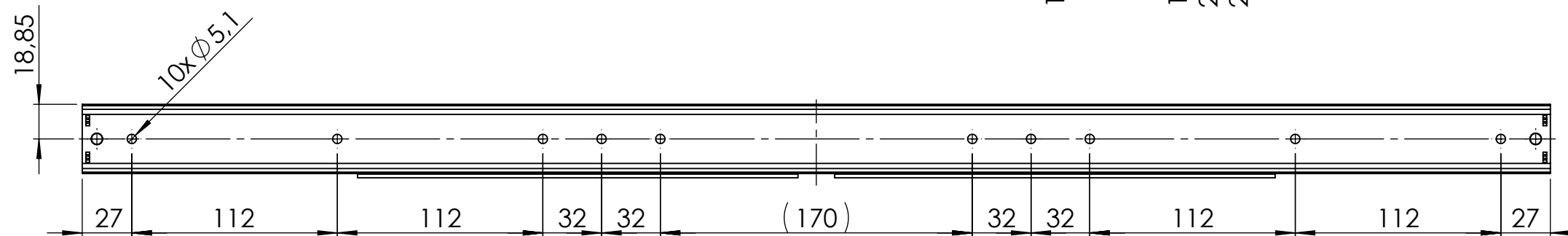
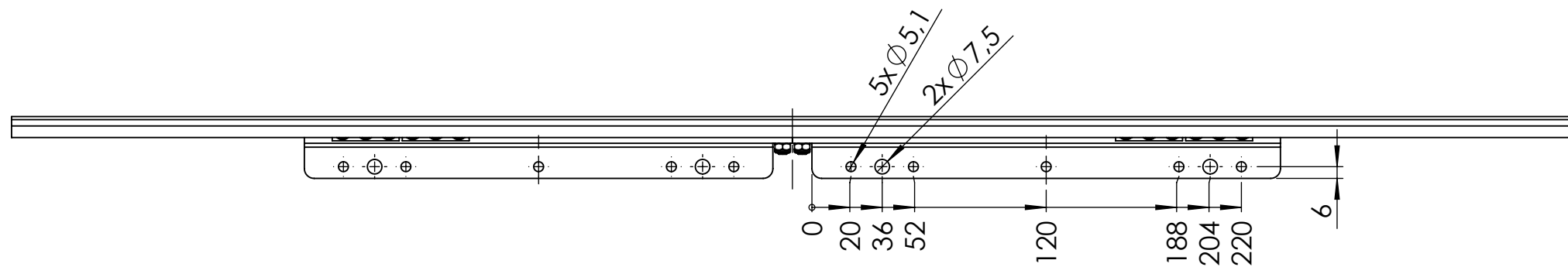
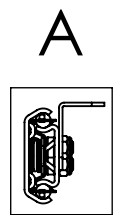
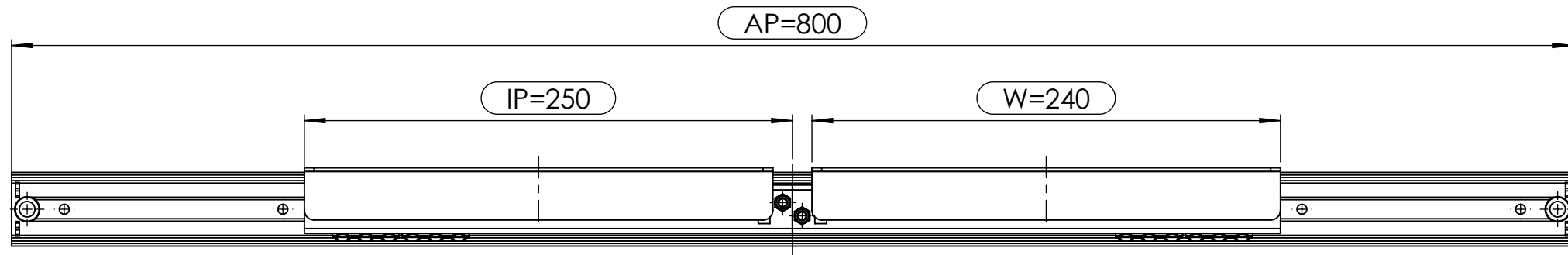


All property rights and rights to exploitation of copyright for this drawing data remain ours; they may not be made available to third parties without our consent.



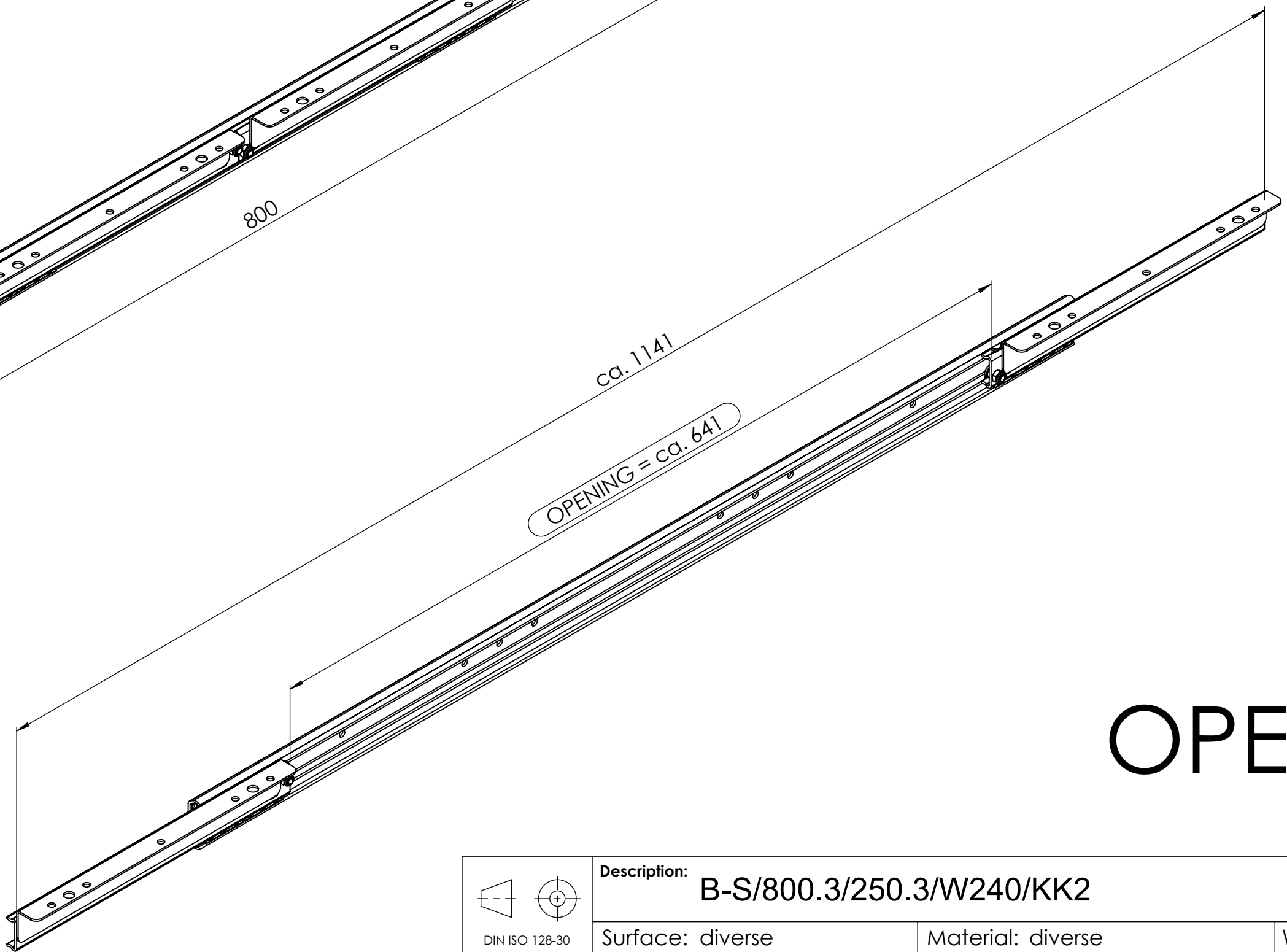
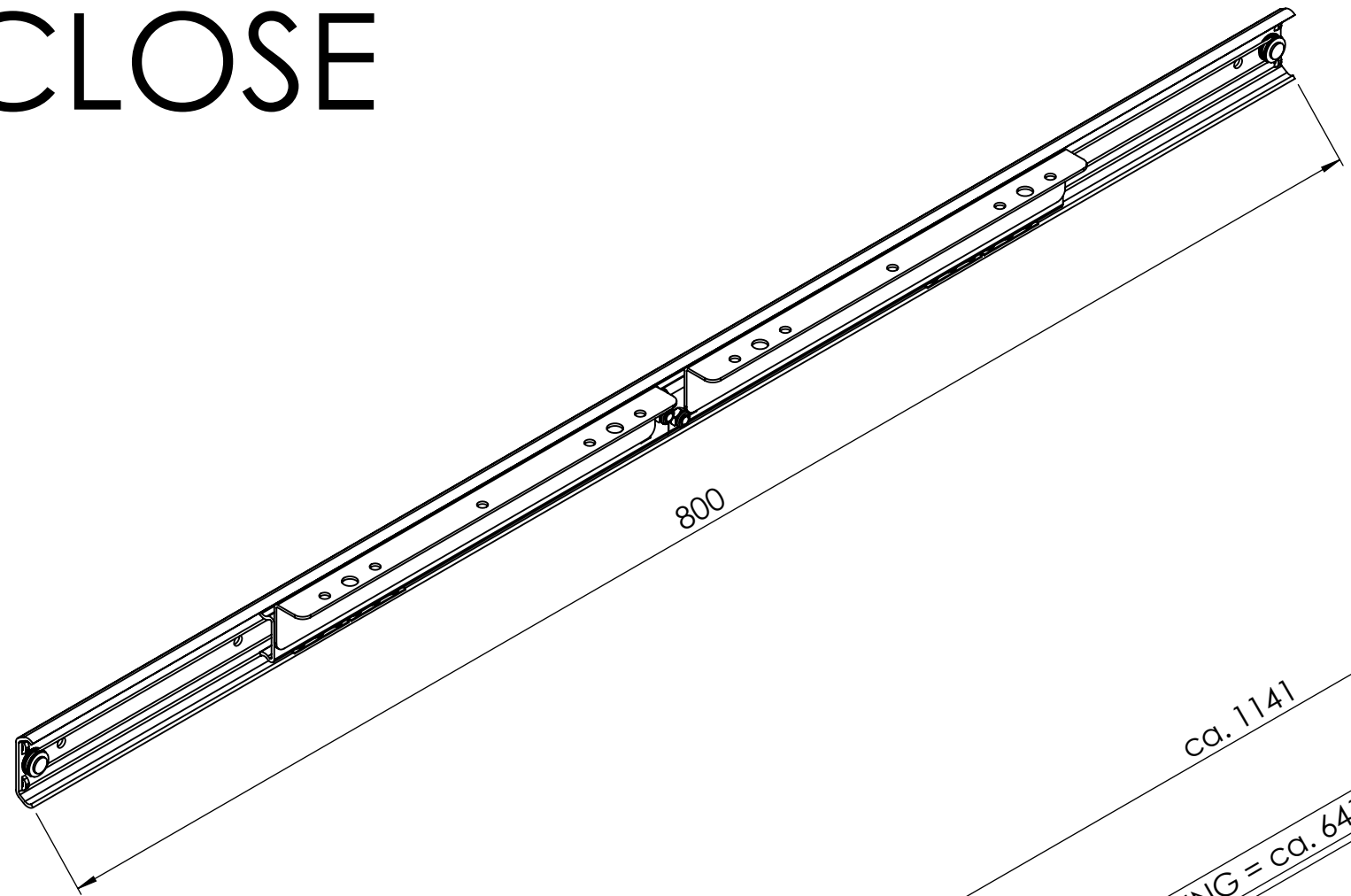
DETAIL A 2 : 1

opening : ca. 641 mm

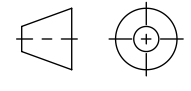
Index	Change		Date	Name	
 DIN ISO 128-30	Description: B-S/800.3/250.3/W240/KK2				
	Surface: diverse		Material: diverse	Weight: 1.11 kg	
PÖTTKER Transforming furniture	Name	Date	Company		
	Signed	Vaquero	24.10.12		
	Tested	J. Vaquero	01.02.2018	Second Company:	
General tolerance: DIN ISO 2768 - m		Item No: 37080104	Scale 1:3	Page 1/3	A3

All property rights and rights to exploitation of copyright for this drawing data remain ours; they may not be made available to third parties without our consent.

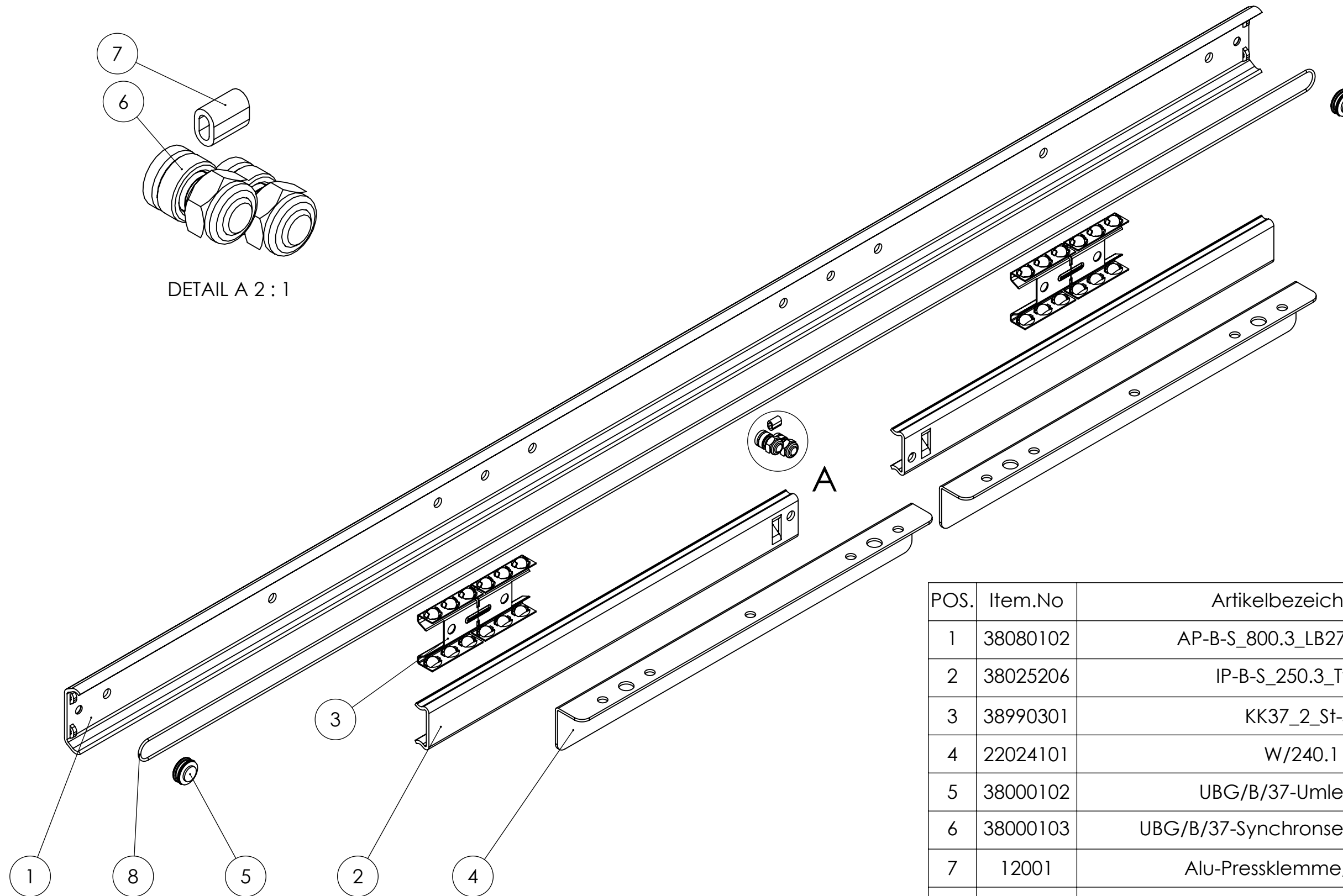
CLOSE



OPEN

 DIN ISO 128-30	Description: B-S/800.3/250.3/W240/KK2				
	Surface: diverse		Material: diverse		Weight: 1.11 kg
PÖTTKER Transforming furniture	Name	Date	Company		
	Signed Vaquero	24.10.12			
	Tested J. Vaquero	01.02.2018	Second Company:		
General tolerance: DIN ISO 2768 - m		Item No: 37080104	Scale 1:3	Page 2/3	A3

All property rights and rights to exploitation of copyright for this drawing data remain ours; they may not be made available to third parties without our consent.



POS.	Item.No	Artikelbezeichnung	Menge x2
1	38080102	AP-B-S_800.3_LB27-5_Typ02	1
2	38025206	IP-B-S_250.3_Typ13	2
3	38990301	KK37_2_St-St	2
4	22024101	W/240.1	2
5	38000102	UBG/B/37-Umlenkrolle	2
6	38000103	UBG/B/37-Synchronseilbefestigung	2
7	12001	Alu-Pressklemme/1,5 mm	1
8	15000	Drahtseil Ø1,25x800	1

<p>DIN ISO 128-30</p>	Description: B-S/800.3/250.3/W240/KK2		
	Surface: diverse		Material: diverse
Weight: 1.11 kg			
<p>Transforming furniture</p>	Name	Date	Company
	Signed	Vaquero	24.10.12
	Tested	J. Vaquero	01.02.2018
Second Company:			
General tolerance: DIN ISO 2768 - m		Item No: 37080104	Scale 1:2
		Page 3/3	A3