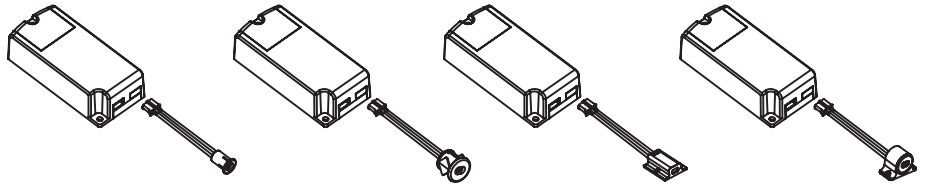


**Product Name: Door Sensor Switch**

**Product description:** This Door Sensor Switch is an exclusively designed for Class II insulation appliance based on the application of IR sensor switch.  
**Function description:** when the target object is in the detecting range, the lamp switches off, when there is no object in the detecting range, the lamp switches on.  
**Specifications:**

input voltage	100-240V AC
output voltage	100-240V AC
loading power	250W max.
working temperature	-20~+45°C
detection range	4~20cm



96601C

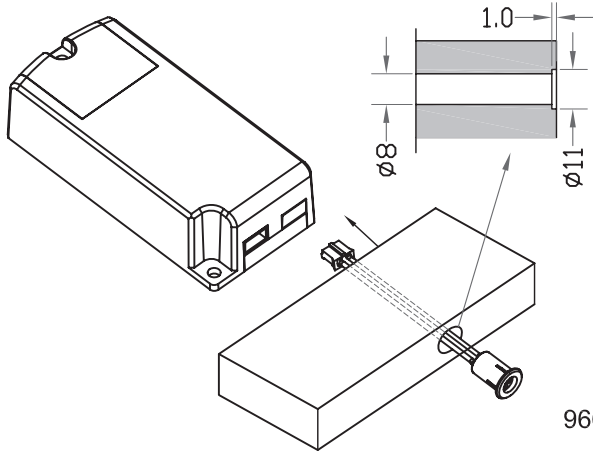
96601

96601S

96601B

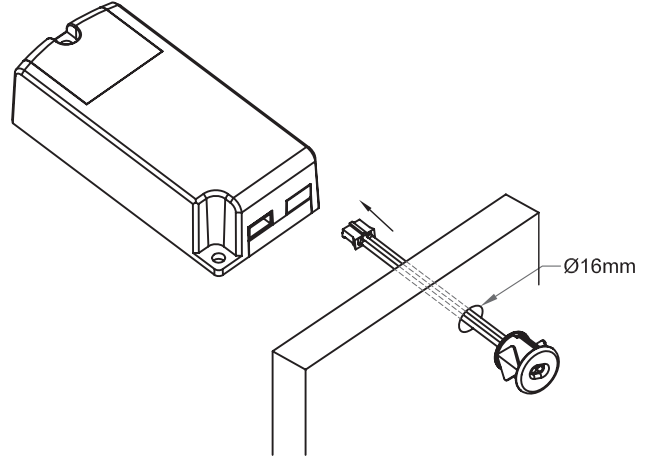
**Installation Instructions:**

recess mounted mini version



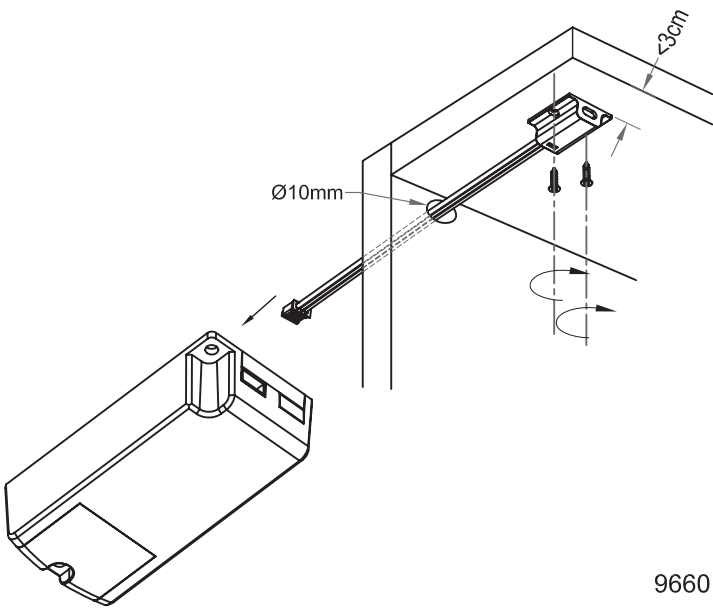
96601C

recess mounted



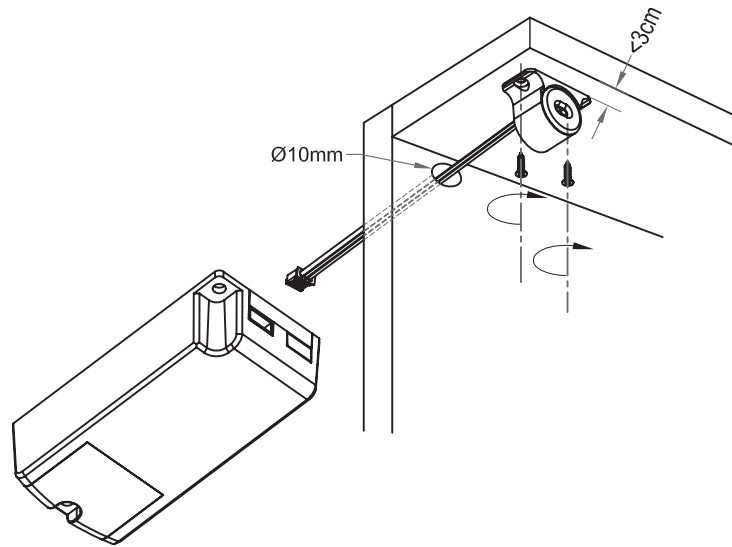
96601

surface mounted mini version



96601S

surface mounted



96601B

