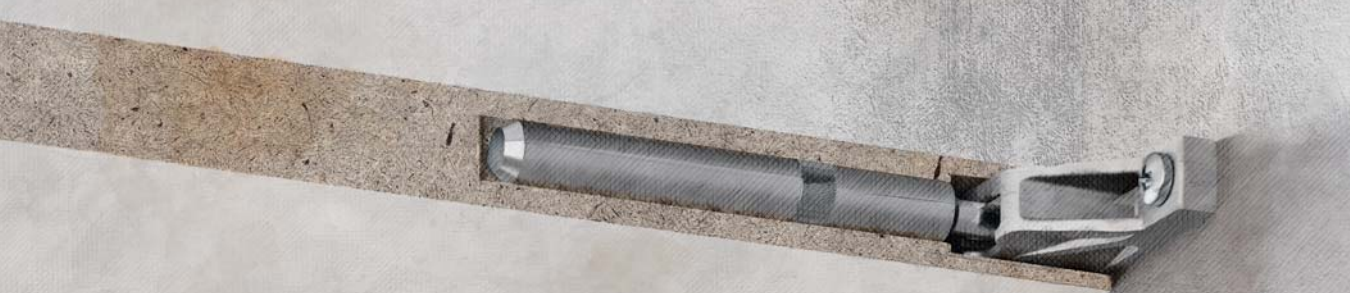


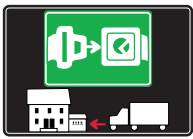


Triade Slim



WOOD
AND
GLASS
SHELVING
SYSTEMS

SYMBOLS



= SHELF SAFELY LOCKED DURING TRANSPORTATION AND AT HOME.



= ANTI-TURNOVER LOCKING SYSTEM



= NORMS / PATENTS



= PHILLIPS / POZIDRIV



= WITH BUFFER



= PART NO.



= BLADE SLOT



= WITH MAGNET



= PCS. PER PACKAGE



= COMBI SLOT



= HEXAGONAL SOCKET



= NEWTON



= CAPACITY LOADING



= HEXALOBULAR SOCKET



= FRICTION



= WOOD / GLASS THICKNESS



= COUNTERSUNK HEAD



= AUTOMATIC



= HOLE DIAMETER



= PAN HEAD



= DROP DOWN



= DIAMETER



= FLANGE HEAD



= LENGTH



= FLAT HEAD



= STANDARD HINGE



= HEIGHT



= TRILOBULAR SCREW



= KIMANA HINGE



= RIGHT VERSION



= SELF-TAPPING SCREW



= FLAP HINGE



= LEFT VERSION



= EURO THREAD



= WITH SPRING



= SETTING CODE



= METRIC THREAD



= WITHOUT SPRING



= PCS. PER PAD



= PRE-INSERTED SCREW



= REVERSED SPRING



= CUT ON REQUEST



= PRE-INSERTED SCREW AND SPREADING BUSH



= WITH FLANGE



= SELF ADHESIVE



MATERIALS

ZA = Zinc Alloy	ST = Steel	HSS = High Speed Steel	BR = Brass	ABS = Acrylonitrile Butadiene Styrene
ZAnk = Nickel-plated Zinc Alloy	STzk = Zinc-plated Steel	AL = Aluminium	WD = Wood	EVA = Ethylene Vinyl Acetate

EP = ENGINEERING PLASTIC	+ EP = other engineering plastic available on request	SR = SOFT RUBBER	+ SR = other soft rubber available on request
--	--	--------------------------------	--

EPn = Natural Engineering Plastic	EPc = Clear Engineering Plastic	SRn = Natural Soft Rubber
EPw = White Engineering Plastic	EPg = Grey Engineering Plastic	SRw = White Soft Rubber
EPwg = Water Green Engineering Plastic	EPa = Anthracite Engineering Plastic	SRb = Black Soft Rubber

 FINISHES	+  = OTHER FINISHES AVAILABLE ON REQUEST
--	---

PART NO.	FINISHES	PART NO.	FINISHES	PART NO.	FINISHES
OO	Insignificant finish	IF	Middle Grey	RO	Red
AA	Natural	IJ	Light Grey	UT	T-Met 9007
AB	White	IL	Grey 20	UZ	T-Met
AE	White 9010	IN	Grey met. 26	WA	Bronzed
EA	Black	JB	Bright Aluminium	WI	Burnished
EC	Matt Black	JC	Aluminium - Chrome	XD	Satin-finished Steel
EE	Anthracite	JD	Matt Aluminium	YA	Nickel-plated
EW	Grey 9007	JE	Satin-finished Aluminium	YB	Bright Nickel-plated
FU	Gunmetal	JF	Aluminium - Brass	YC	Matt Nickel-plated
FV	Gunmetal V52	JG	Aluminium 5	YD	Satin-finished Nickel-plated
GR	Raw	JL	Aluminium PE 11	YQ	Black Nickel
HA	Brass-Plated	JM	Aluminium RAL 9006	Z9	Black Zinc
HH	Tropicalized	KA	Chrome	ZA	Zinc alloy
HL	Raw Brass	KB	Bright Chrome	ZN	Zinc-plated
HX	Graphite	KC	Matt Chrome	ZQ	Bright Gold
IA	Grey	LD	Brown 8019	ZY	Titanium
IB	Metallic Grey	NN	Metallic Beige	ZZ	Clear

TRIADE SLIM



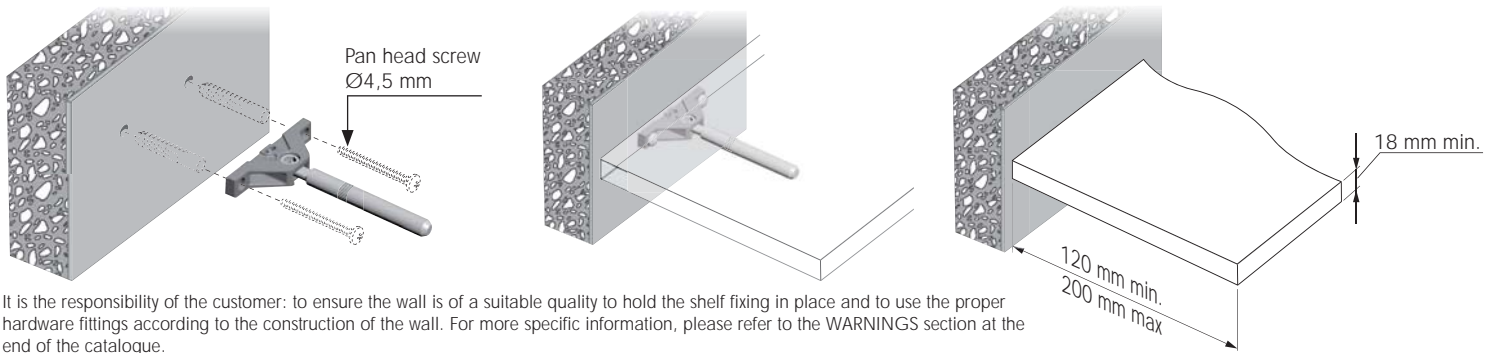
18 mm min.

15 kg per pair for shelf 200 mm deep

PAT. PENDING

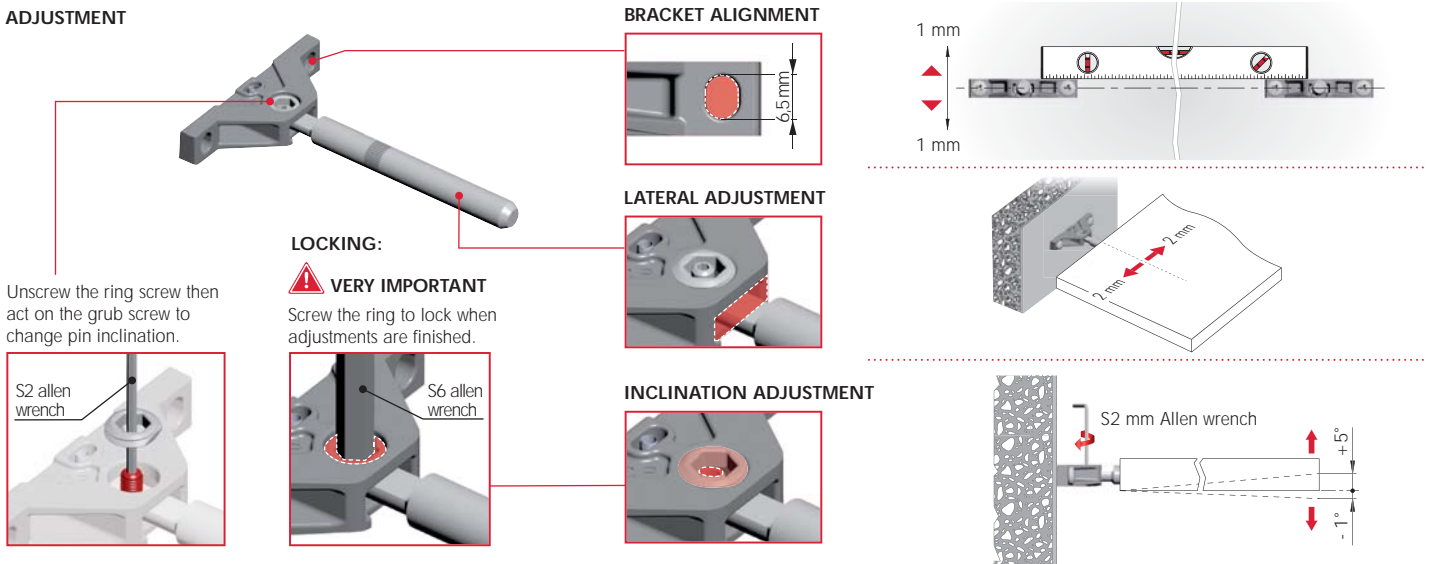
OPTIONAL SECURITY LOCKING

SPECIFICATION



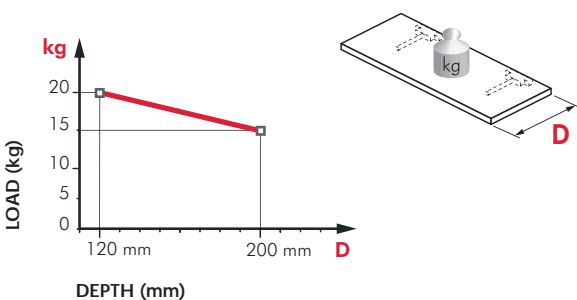
It is the responsibility of the customer: to ensure the wall is of a suitable quality to hold the shelf fixing in place and to use the proper hardware fittings according to the construction of the wall. For more specific information, please refer to the WARNINGS section at the end of the catalogue.

ADJUSTMENT

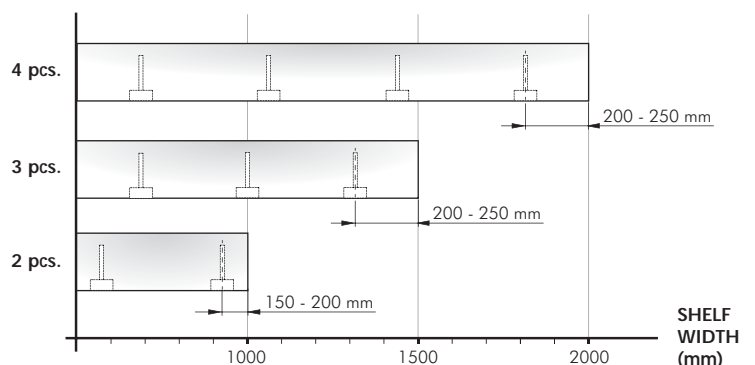


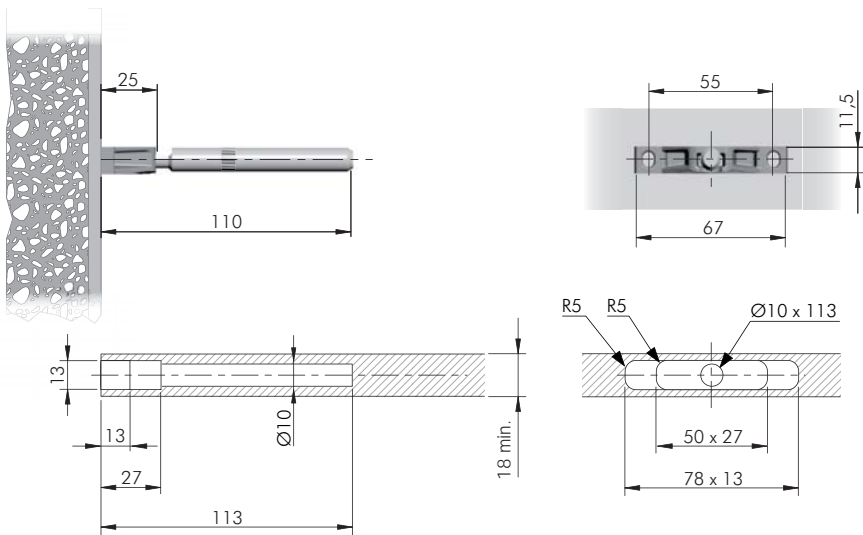
CAPACITY LOADING CHART

(The figures refer to 2 shelf supports)



RECOMMENDED NUMBER OF TRIADE SLIM PER SHELF



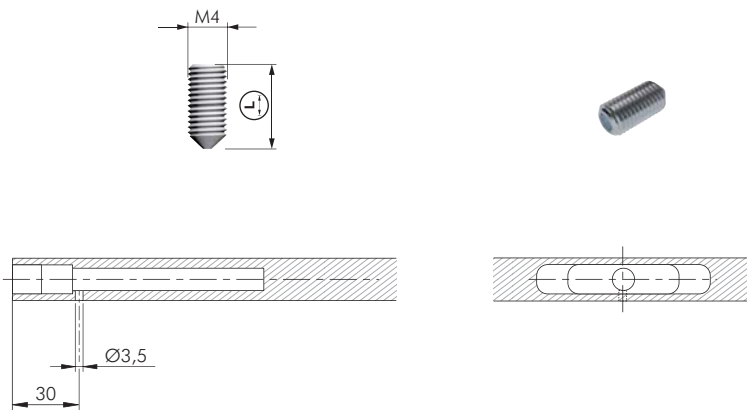


= open ended wrenches S2-S6

ZA ST EP = 100 pcs.

123
1622501000

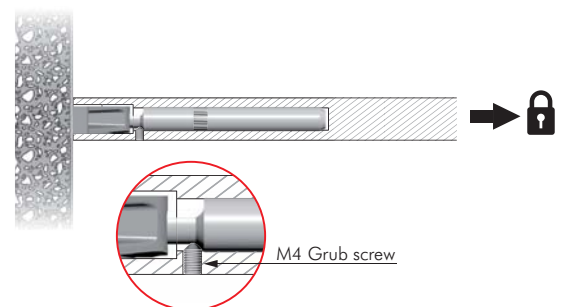
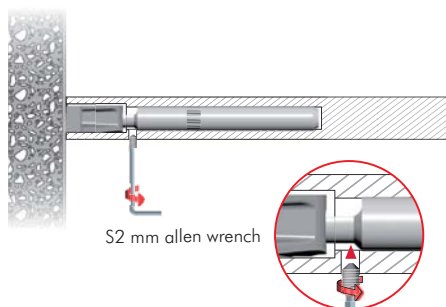
OPTIONAL DRILLING FOR SECURITY LOCKING



= S2 mm

ST = 100 pcs.

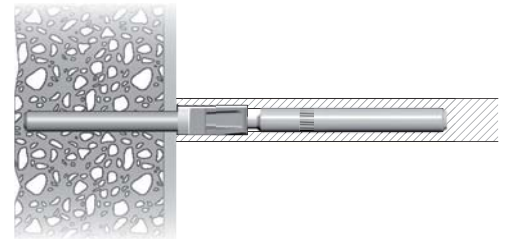
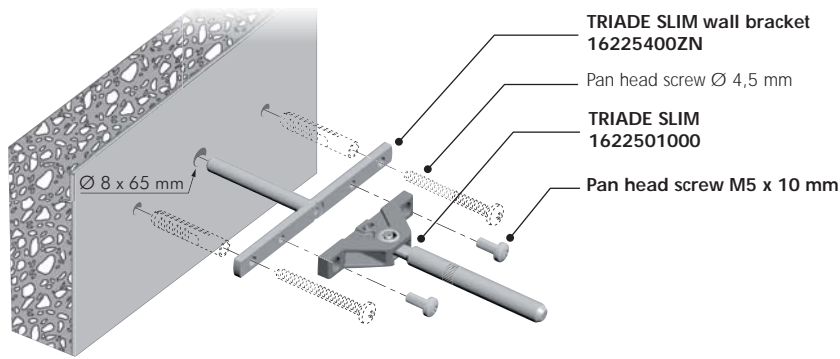
123	L	1mm
21105210ZN	6	18-20 mm
21105180ZN	10	25 mm



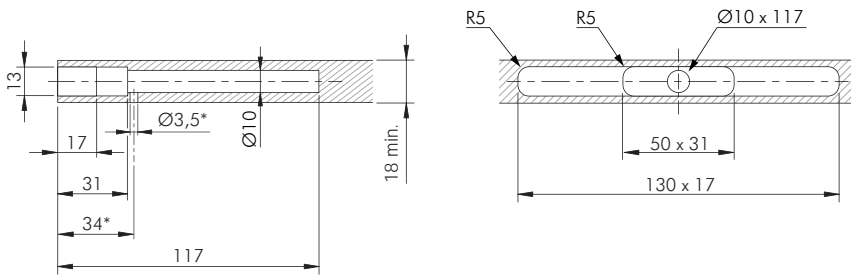
TRIADE SLIM AND BRACKET



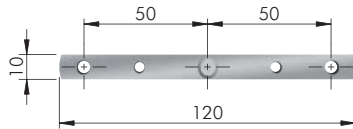
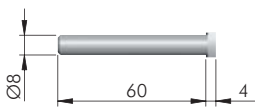
OPTIONAL SECURITY LOCKING



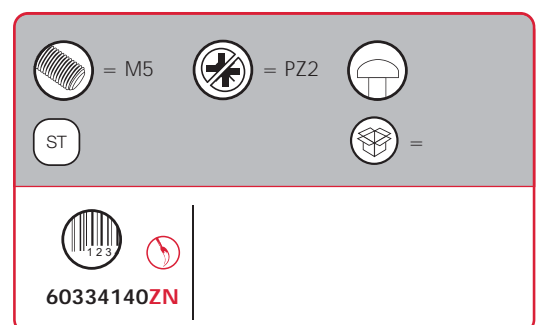
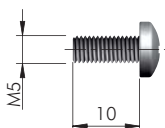
The wall bracket guarantees a more stable fixing to the wall. It is the responsibility of the customer: to ensure the wall is of a suitable quality to hold the shelf fixing in place and to use the proper hardware fittings according to the construction of the wall. For more specific information, please refer to the WARNINGS section at the end of the catalogue.



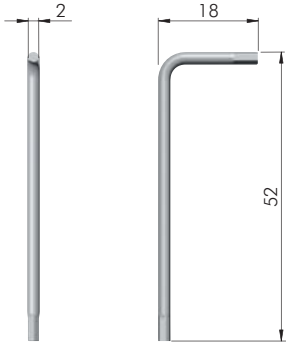
* Optional drilling for security locking with M4 grub screw placed underneath in alignment with the cavity. For details refer to Triade Slim section.




FIXING ACCESSORY



TRIADE SLIM ACCESSORIES

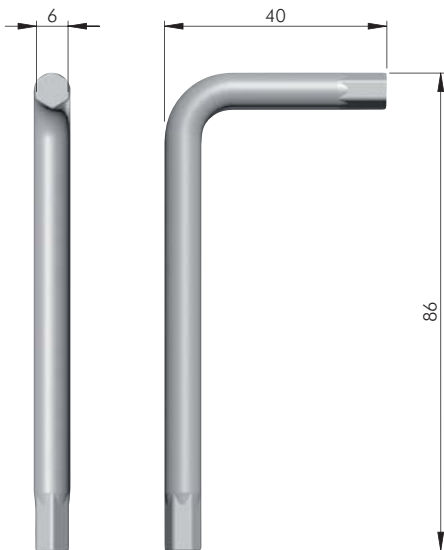


ST


 = 1000 pcs.



62501090ZN

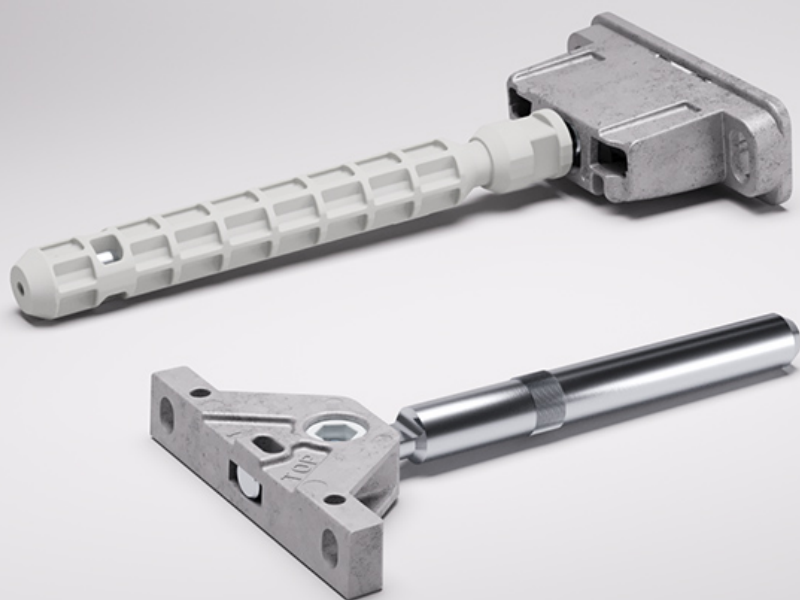


ST

 = 500 pcs.

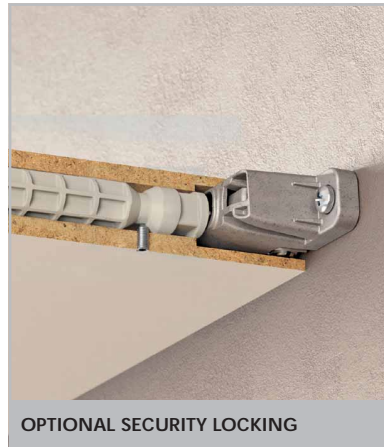
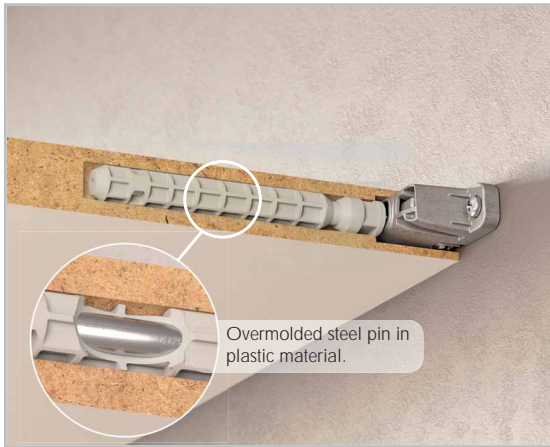


62501040ZN



Triade Pro
System

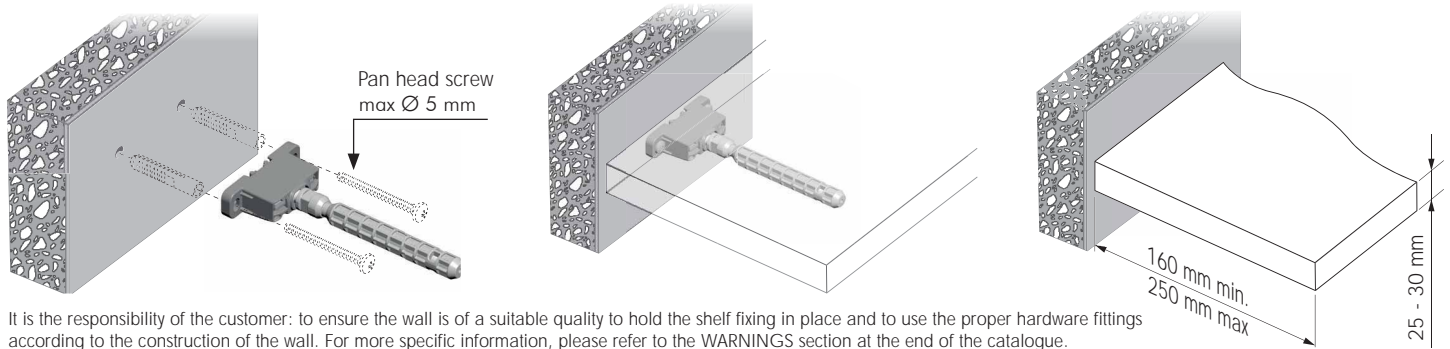
TRIADE PRO MINI



25 mm min.

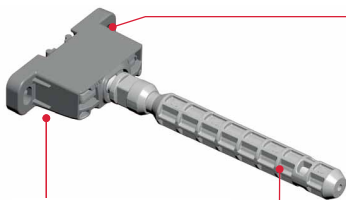
15 kg per pair for shelf 250 mm deep

SPECIFICATION



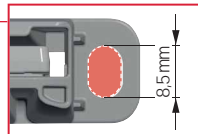
It is the responsibility of the customer: to ensure the wall is of a suitable quality to hold the shelf fixing in place and to use the proper hardware fittings according to the construction of the wall. For more specific information, please refer to the WARNINGS section at the end of the catalogue.

ADJUSTMENT

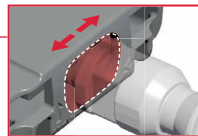


Screw to lock when adjustments are finished.

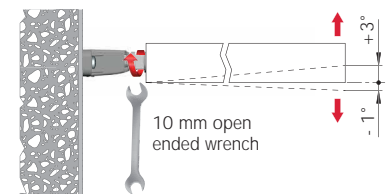
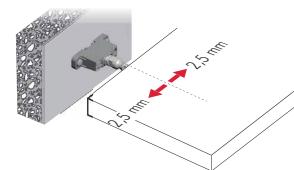
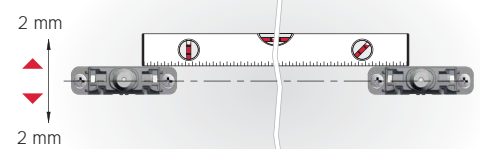
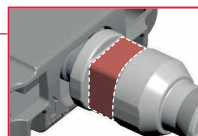
BRACKET ALIGNMENT



LATERAL ADJUSTMENT

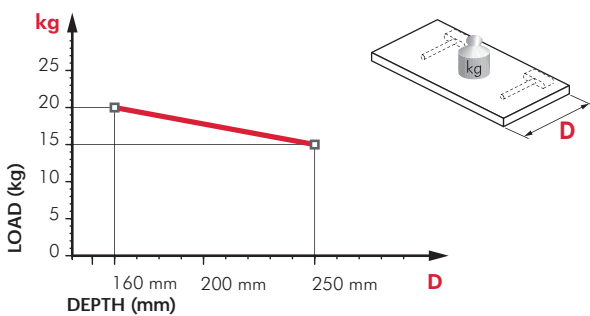


INCLINATION ADJUSTMENT

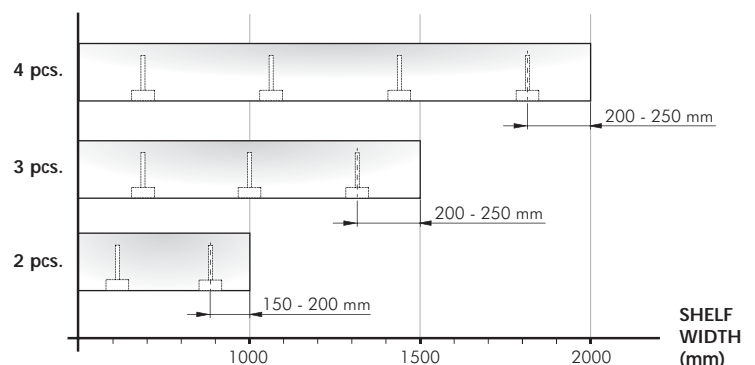


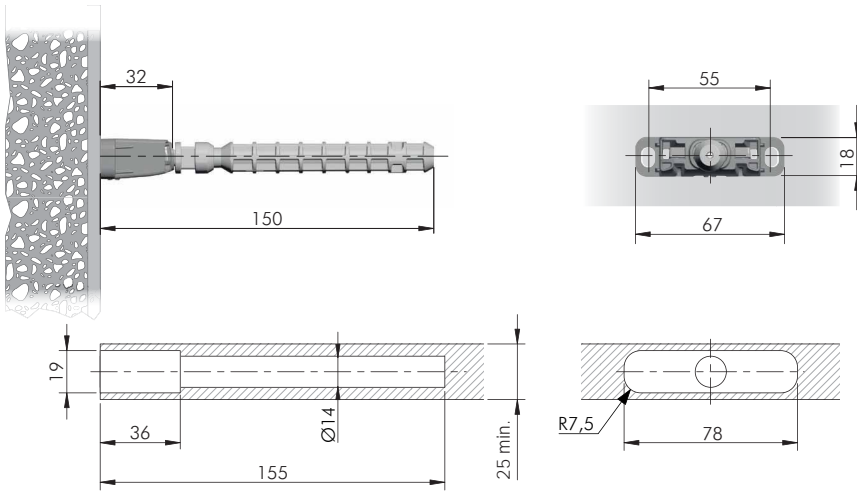
CAPACITY LOADING CHART

(The figures refer to 2 shelf supports)



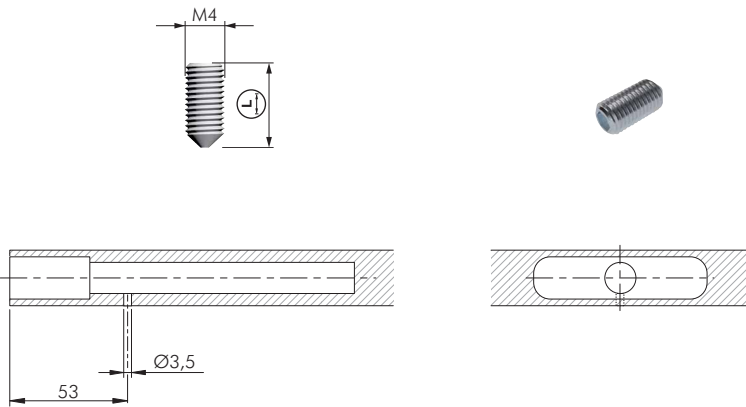
RECOMMENDED NUMBER OF TRIADE PRO MINI PER SHELF



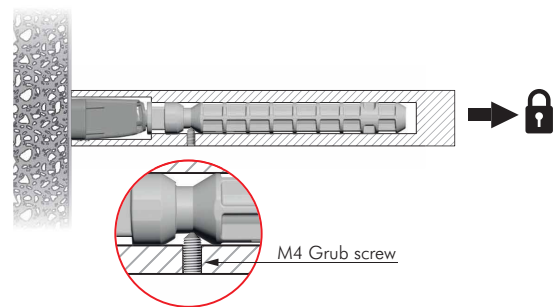
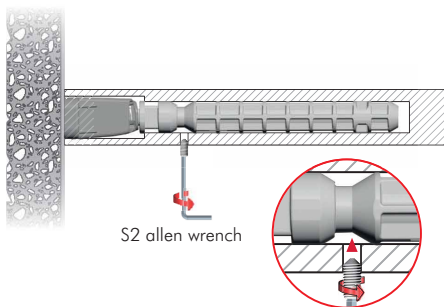


= PZ2	= open ended wrench 10 mm
ZA	ST
123	= 50 pcs.
1623001000	

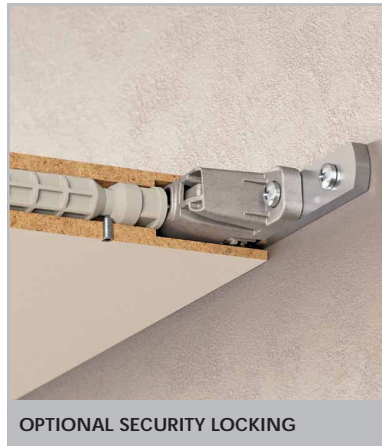
OPTIONAL DRILLING FOR SECURITY LOCKING



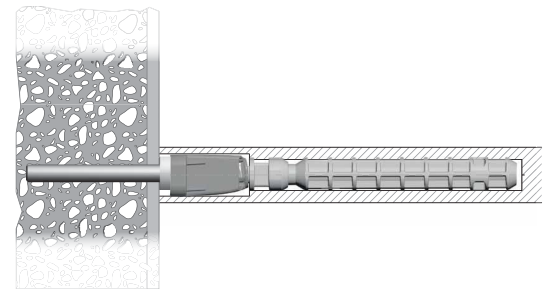
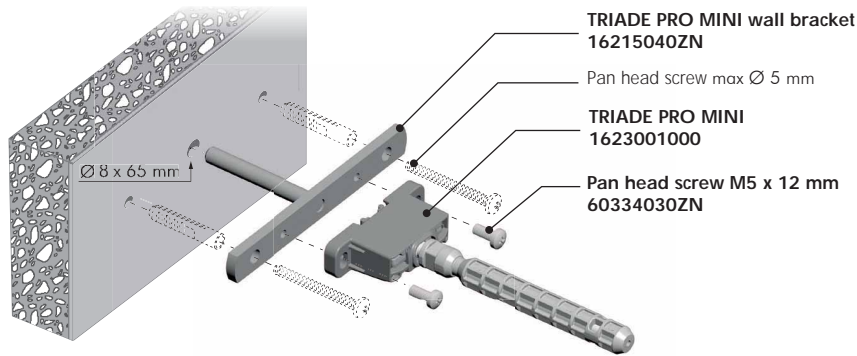
= S2	= 100 pcs.	
ST		
123		
21105170ZN	8	25
21105180ZN	10	30



TRIADE PRO MINI AND BRACKET

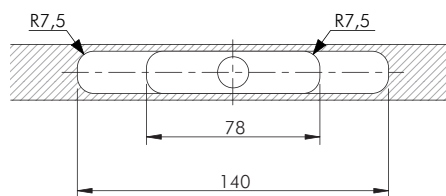
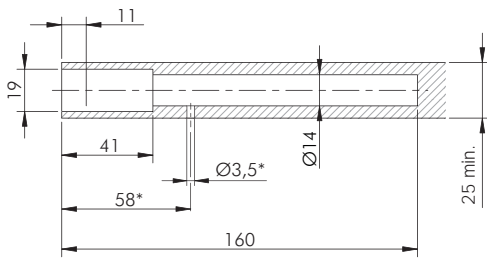


25 mm min.

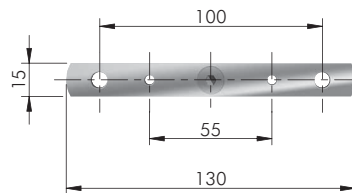
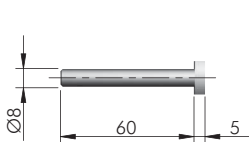


The wall bracket guarantees a more stable fixing to the wall.

It is the responsibility of the customer: to ensure the wall is of a suitable quality to hold the shelf fixing in place and to use the proper hardware fittings according to the construction of the wall. For more specific information, please refer to the WARNINGS section at the end of the catalogue.

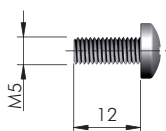


* Optional drilling for security locking with M4 grub screw placed underneath in alignment with the cavity. For details refer to Triade Pro Mini section.



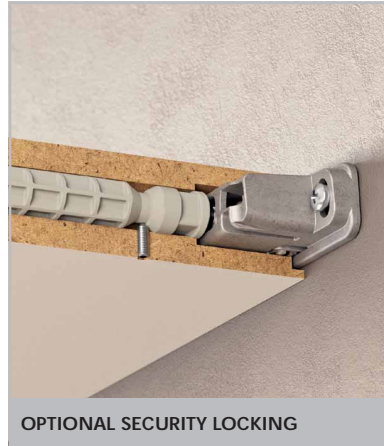
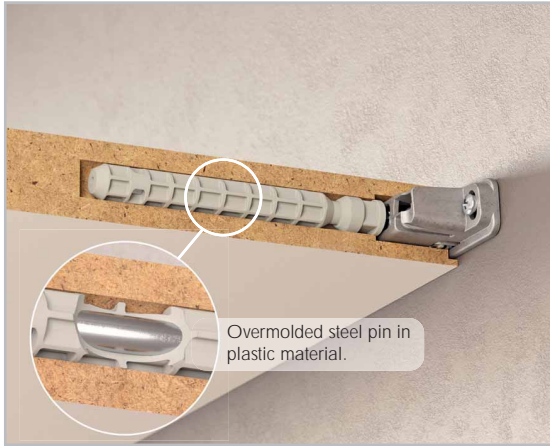
ST	= 100 pcs.
123	
16215040ZN	

FIXING ACCESSORY



= M5	= PZ2	= 7000 pcs.
ST	123	
60334030ZN		

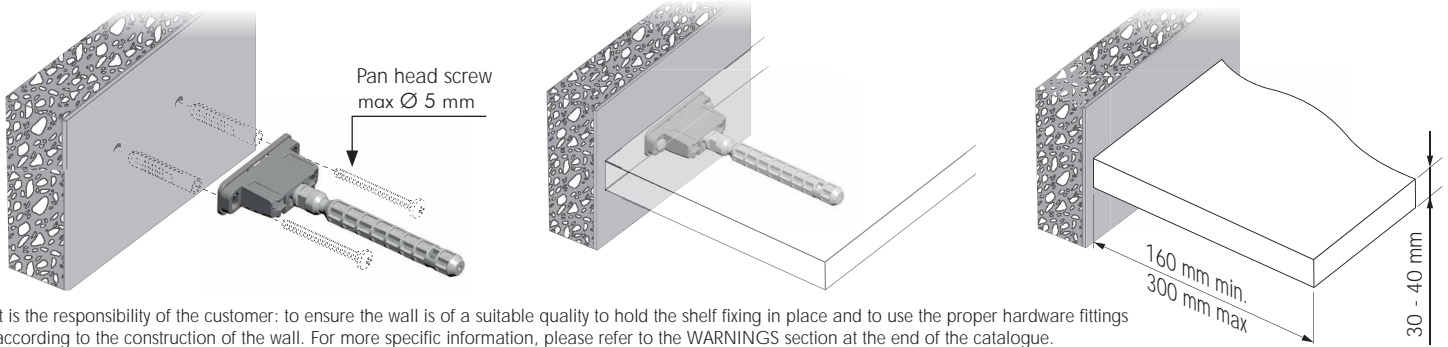
TRIADE PRO



30-40 mm

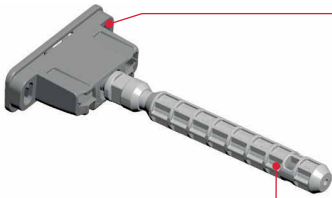
30 kg per pair for shelf 300 mm deep

SPECIFICATION



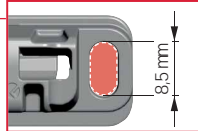
It is the responsibility of the customer: to ensure the wall is of a suitable quality to hold the shelf fixing in place and to use the proper hardware fittings according to the construction of the wall. For more specific information, please refer to the WARNINGS section at the end of the catalogue.

ADJUSTMENT

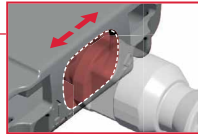


Screw to lock when adjustments are finished.

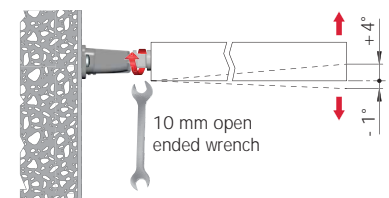
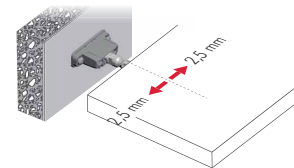
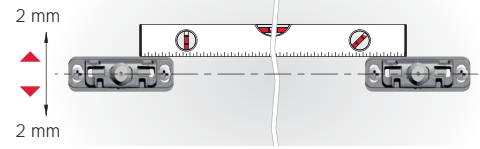
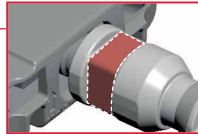
BRACKET ALIGNMENT



LATERAL ADJUSTMENT

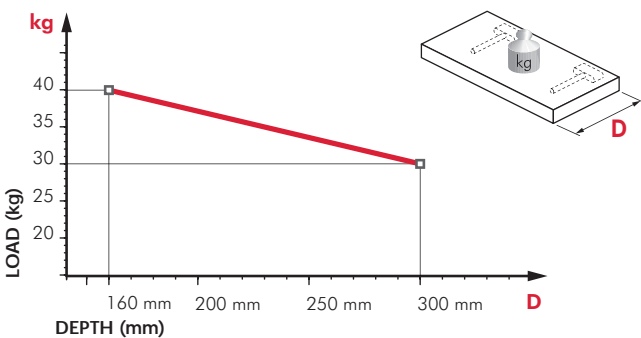


INCLINATION ADJUSTMENT

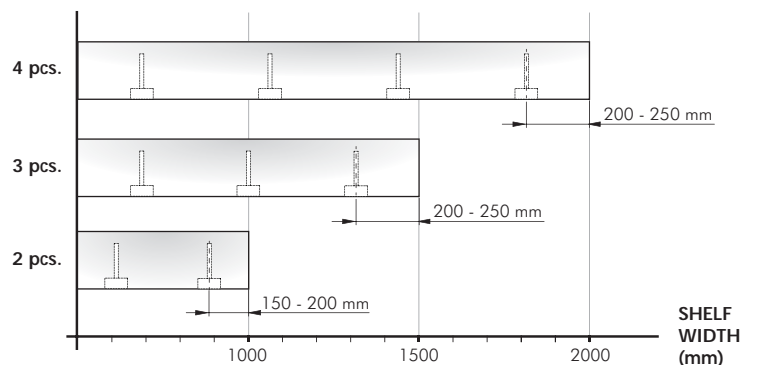


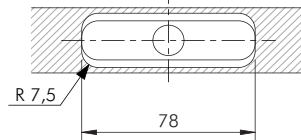
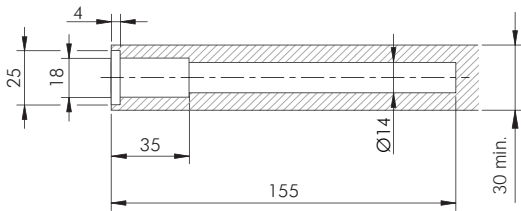
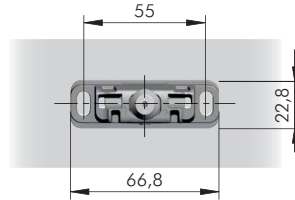
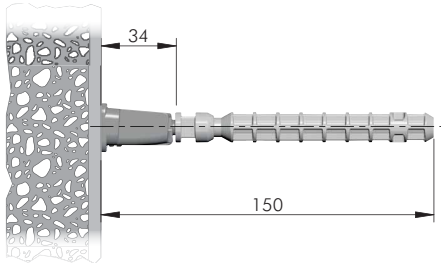
CAPACITY LOADING CHART

(The figures refer to 2 shelf supports)



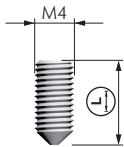
RECOMMENDED NUMBER OF TRIADE PRO PER SHELF



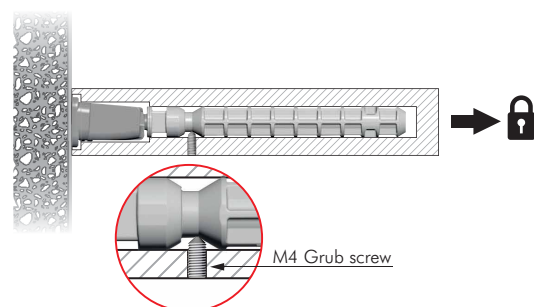
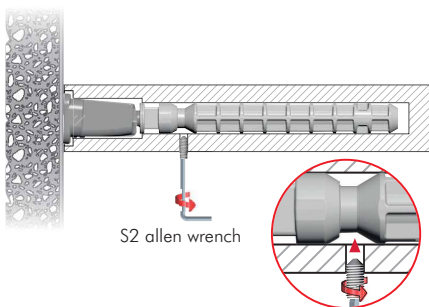
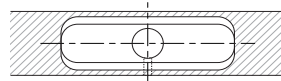
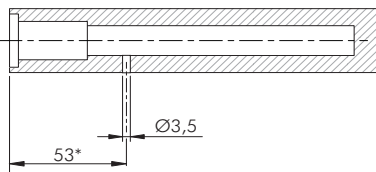


	= PZ2		= open ended wrench 10 mm
			= 50 pcs.
1623002000			

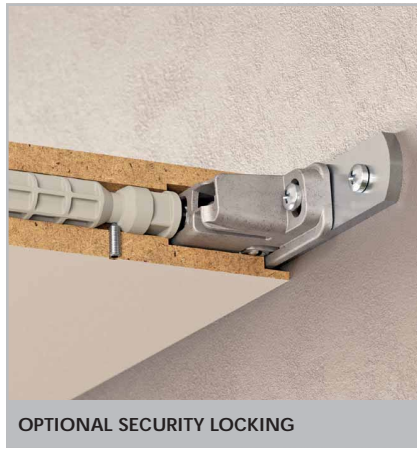
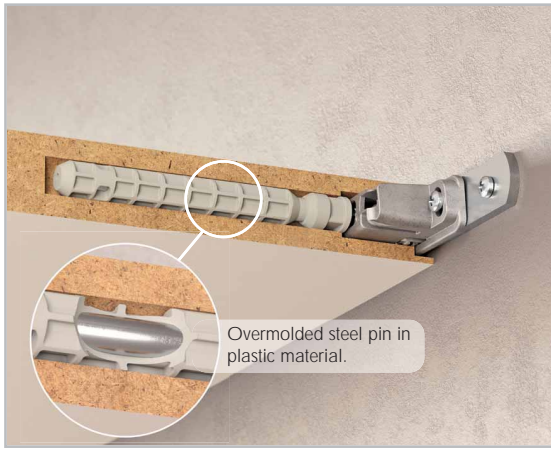
OPTIONAL DRILLING FOR SECURITY LOCKING



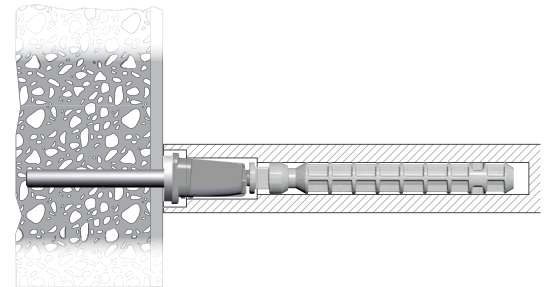
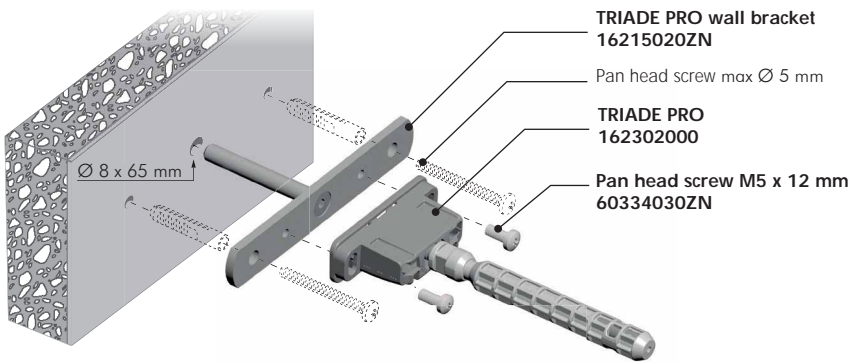
	= S2		= 100 pcs.
21105180ZN	10	30	
21105220ZN	16	40	



TRIADE PRO AND BRACKET

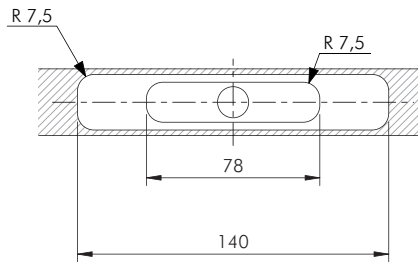
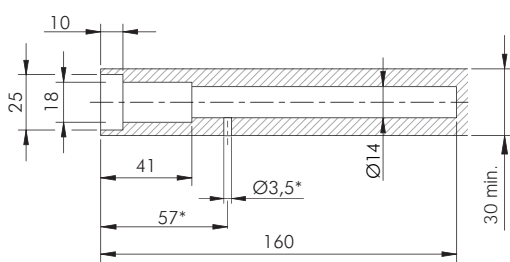


OPTIONAL SECURITY LOCKING

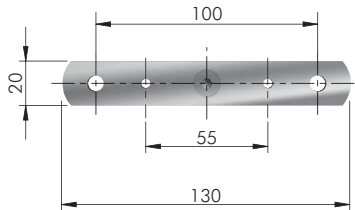
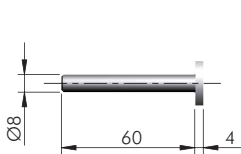


The wall bracket guarantees a more stable fixing to the wall.

It is the responsibility of the customer: to ensure the wall is of a suitable quality to hold the shelf fixing in place and to use the proper hardware fittings according to the construction of the wall. For more specific information, please refer to the WARNINGS section at the end of the catalogue.

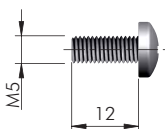


* Optional drilling for security locking with M4 grub screw placed underneath in alignment with the cavity. For details refer to Triade Pro section.



ST	= 100 pcs.
123	
16215020ZN	

FIXING ACCESSORY



= M5	= PZ2	
ST	= 7000 pcs.	
123		
60334030ZN		

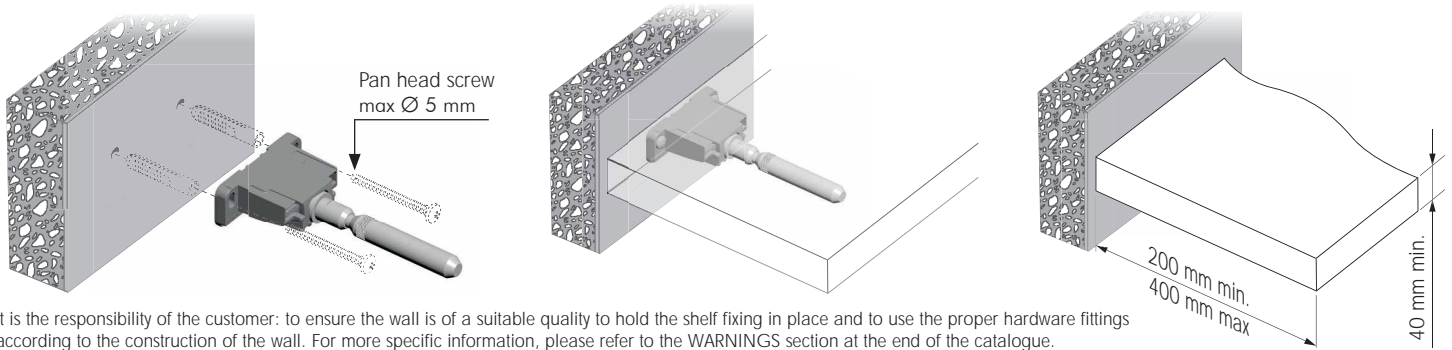
TRIADE PRO MAXI



40 mm min.

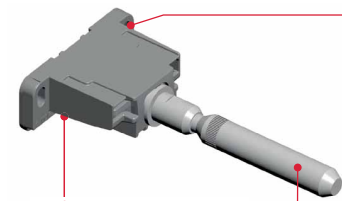
30 kg per pair for shelf 400 mm deep

SPECIFICATION



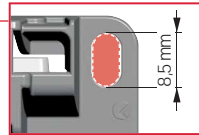
It is the responsibility of the customer: to ensure the wall is of a suitable quality to hold the shelf fixing in place and to use the proper hardware fittings according to the construction of the wall. For more specific information, please refer to the WARNINGS section at the end of the catalogue.

ADJUSTMENT

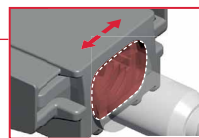


Screw to lock when adjustments are finished.

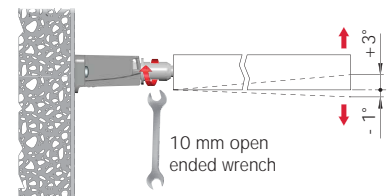
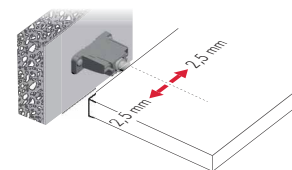
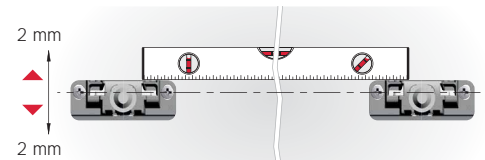
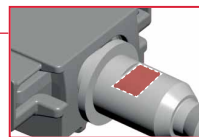
BRACKET ALIGNMENT



LATERAL ADJUSTMENT

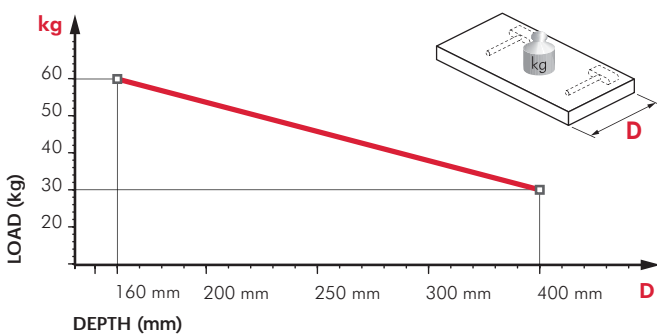


INCLINATION ADJUSTMENT

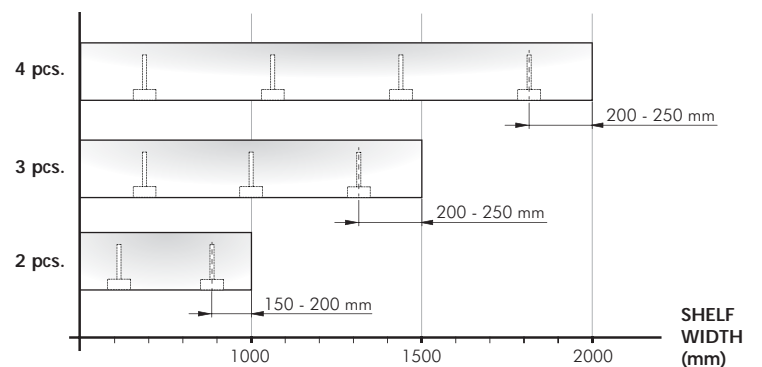


CAPACITY LOADING CHART

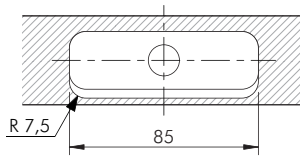
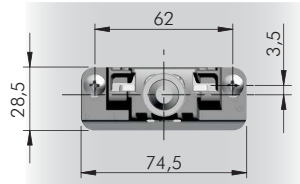
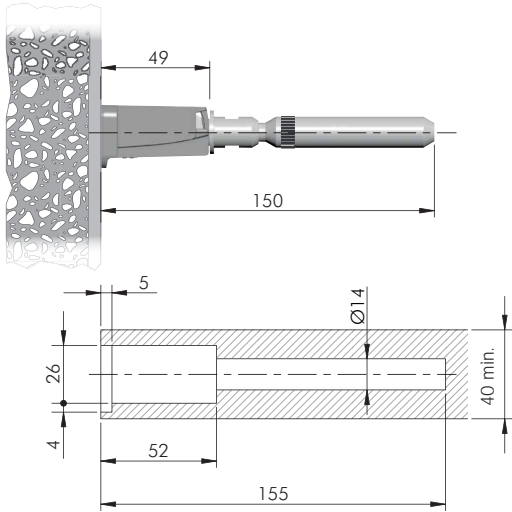
(The figures refer to 2 shelf supports)



RECOMMENDED NUMBER OF TRIADE PRO MAXI PER SHELF

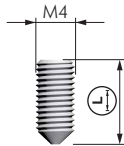


VERY IMPORTANT
Centre of the hole is shifted 3,5 mm upwards.
Please keep in mind when levelling the shelf.

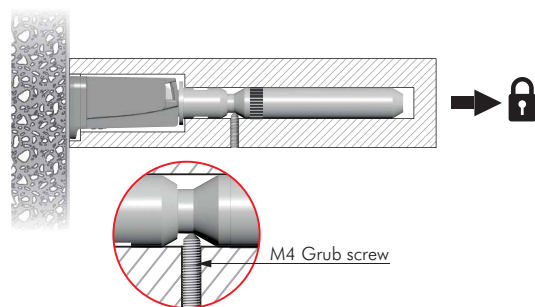
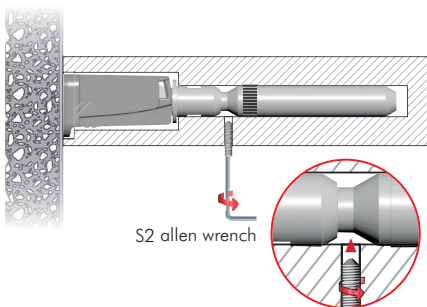
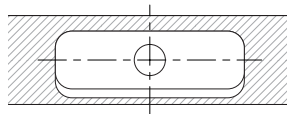
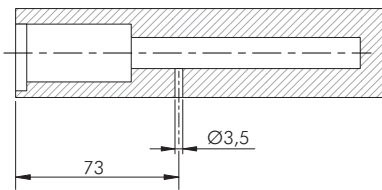


	= PZ2		= open ended wrench 12 mm
	ZA		ST
	123		
P210524100			= 50 pcs.

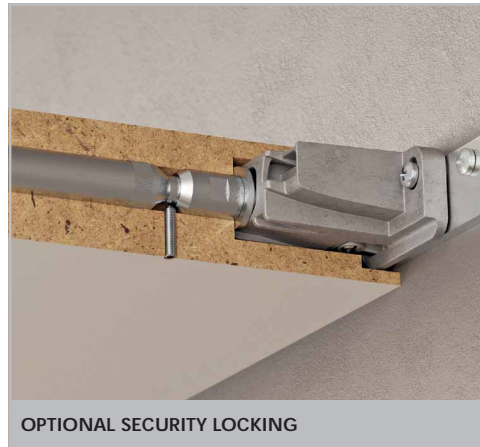
OPTIONAL DRILLING FOR SECURITY LOCKING



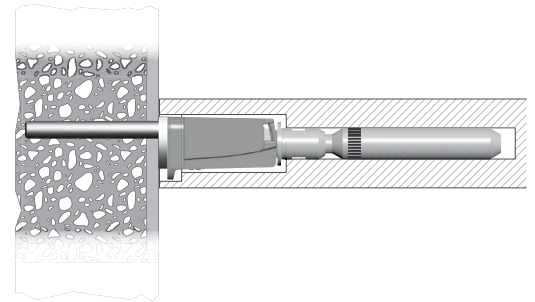
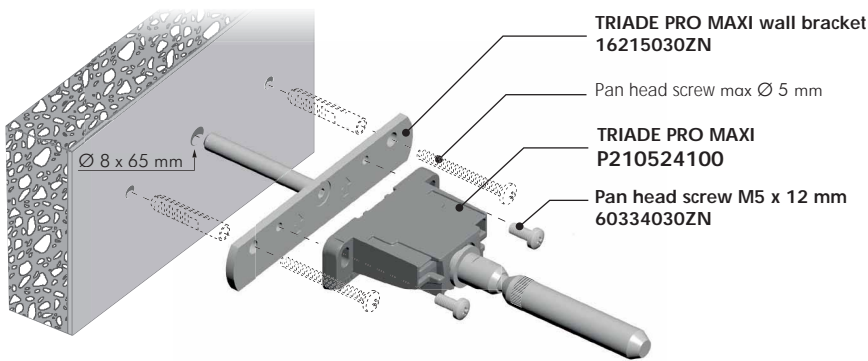
	= S2		= 100 pcs.
	ST		L
	123		
21105220ZN	16		40
21105060ZN	20		50



TRIADE PRO MAXI AND BRACKET

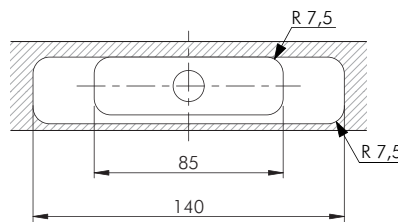
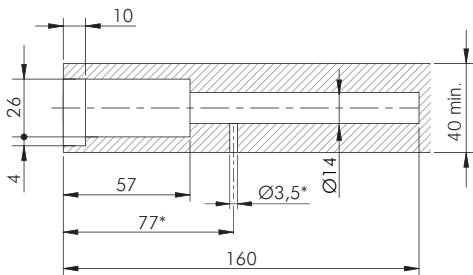


OPTIONAL SECURITY LOCKING

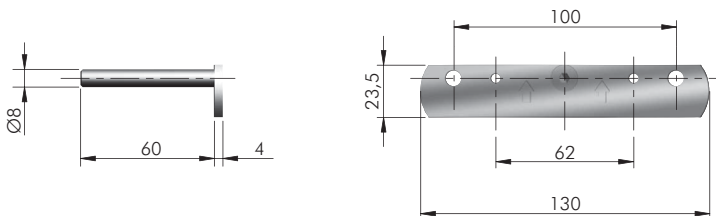


The wall bracket guarantees a more stable fixing to the wall.

It is the responsibility of the customer: to ensure the wall is of a suitable quality to hold the shelf fixing in place and to use the proper hardware fittings according to the construction of the wall. For more specific information, please refer to the WARNINGS section at the end of the catalogue.



* Optional drilling for security locking with M4 grub screw placed underneath in alignment with the cavity. For details refer to Triade Pro Maxi section.



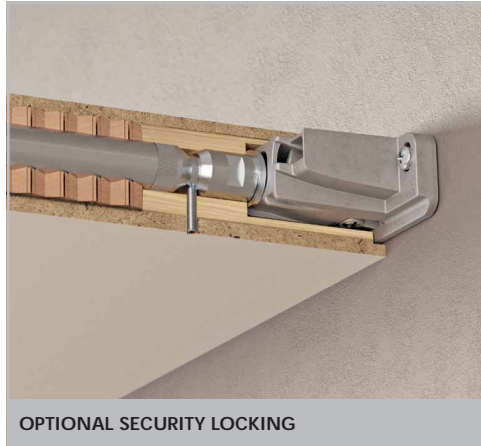
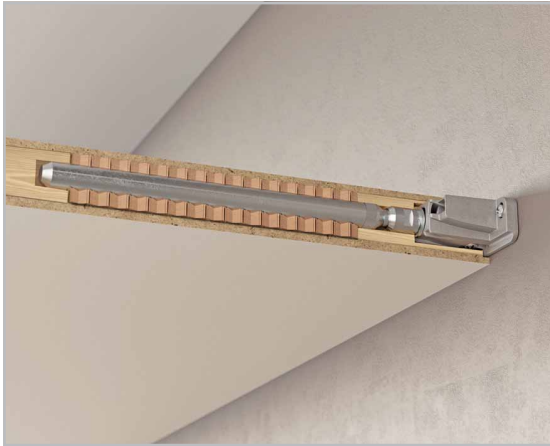
ST	= 100 pcs.
16215030ZN	

FIXING ACCESSORY



= M5	= PZ2	= 7000 pcs.
ST		
60334030ZN		

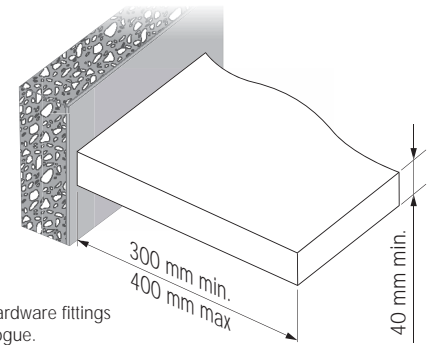
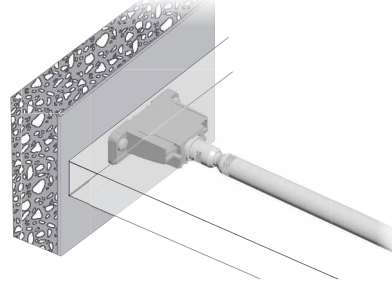
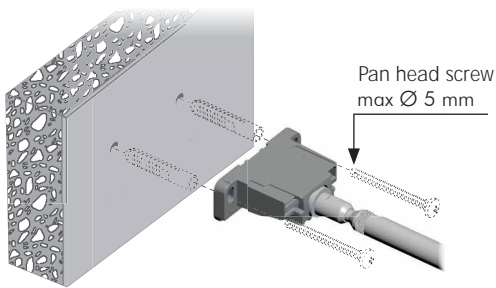
TRIADE PRO XXL



40 mm min.

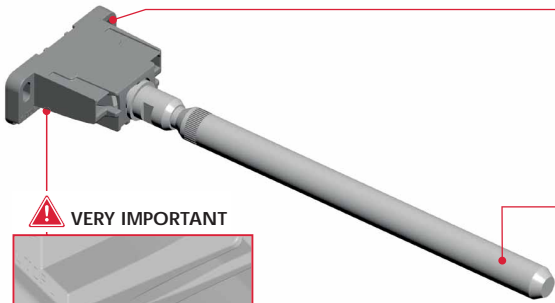
40 kg per pair
for shelf 400 mm deep

SPECIFICATION



It is the responsibility of the customer: to ensure the wall is of a suitable quality to hold the shelf fixing in place and to use the proper hardware fittings according to the construction of the wall. For more specific information, please refer to the WARNINGS section at the end of the catalogue.

ADJUSTMENT

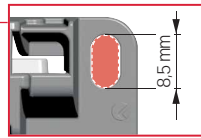


VERY IMPORTANT

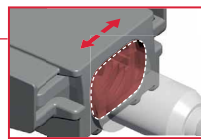


Screw to lock when adjustments are finished.

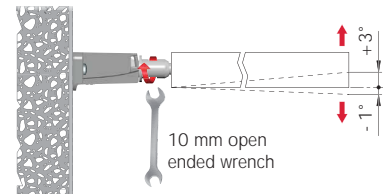
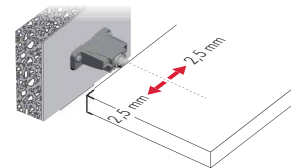
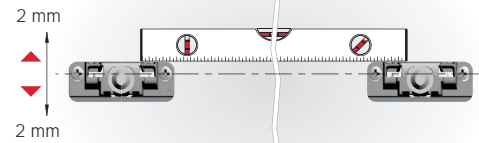
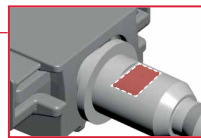
BRACKET ALIGNMENT



LATERAL ADJUSTMENT

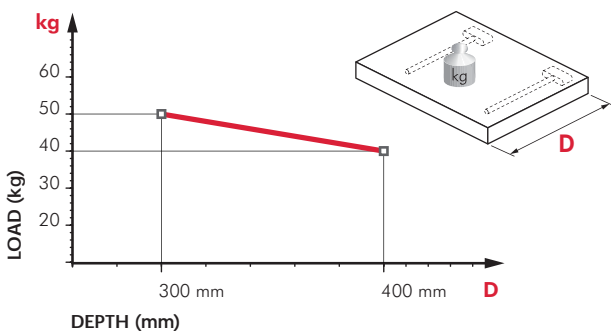


INCLINATION ADJUSTMENT

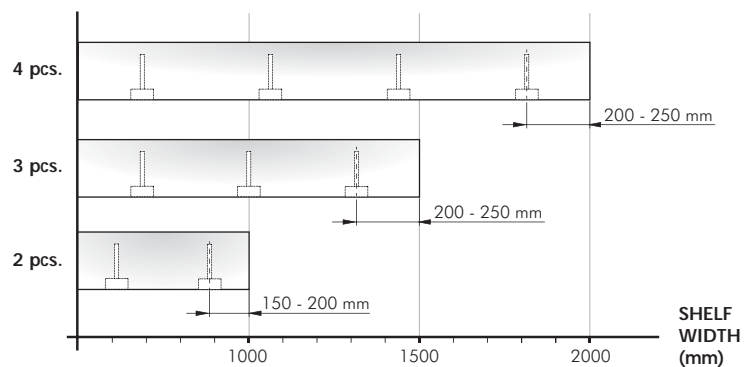


CAPACITY LOADING CHART

(The figures refer to 2 shelf supports)

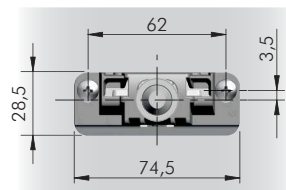
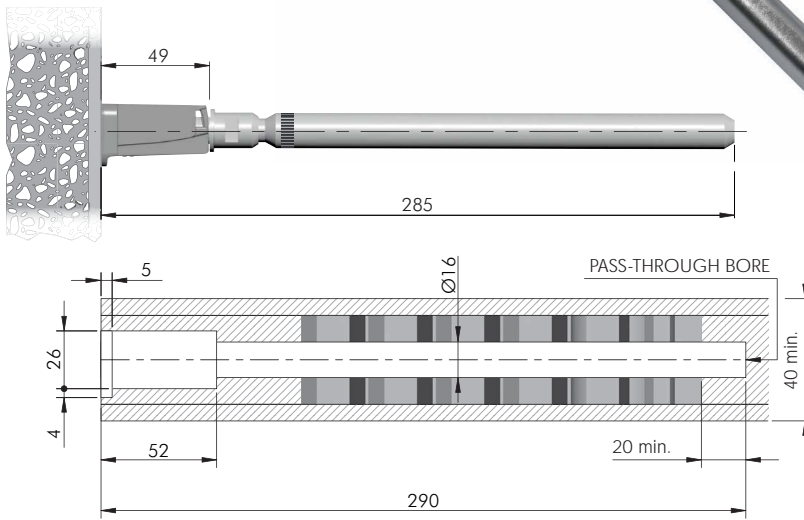


RECOMMENDED NUMBER OF TRIADE PRO XXL PER SHELF

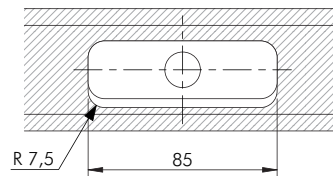




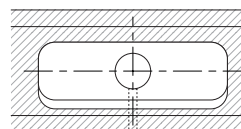
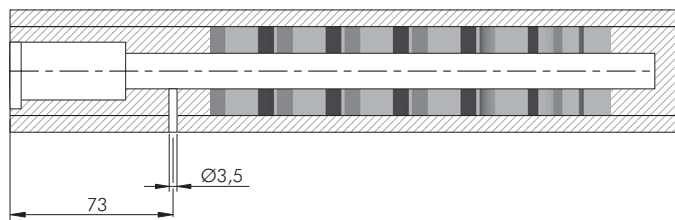
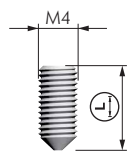
	= PZ2		= open ended wrench 12 mm
	ZA		ST
			= 25 pcs.
P222023000			



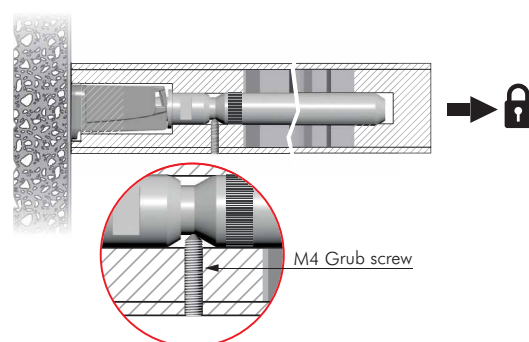
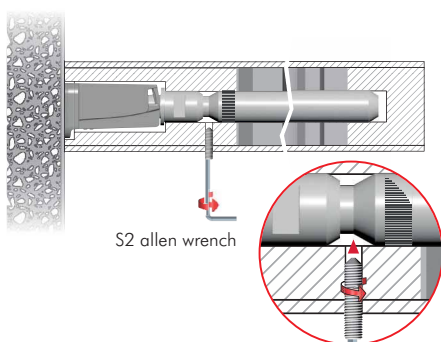
VERY IMPORTANT
Centre of the hole is shifted 3,5 mm upwards. Please keep in mind when levelling the shelf.



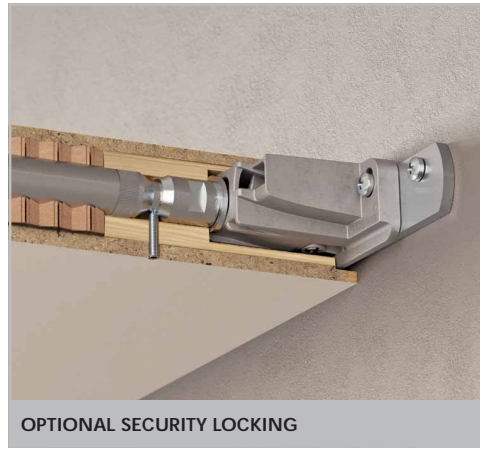
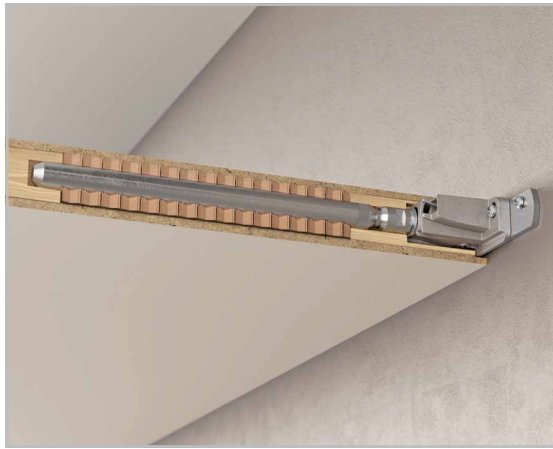
OPTIONAL DRILLING FOR SECURITY LOCKING



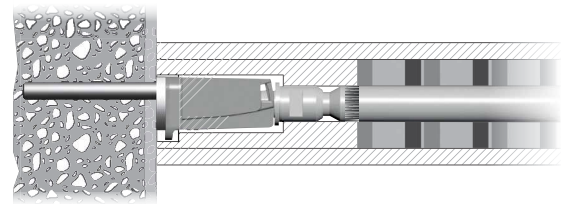
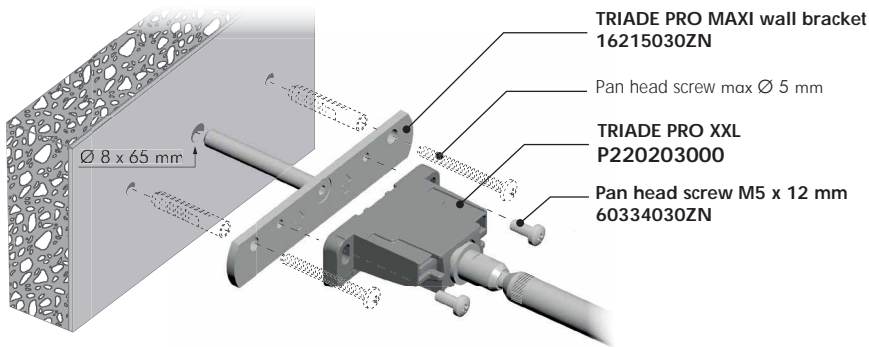
	= S2		= 100 pcs.
	ST		L
21105190ZN	14	40	
21105060ZN	20	50	



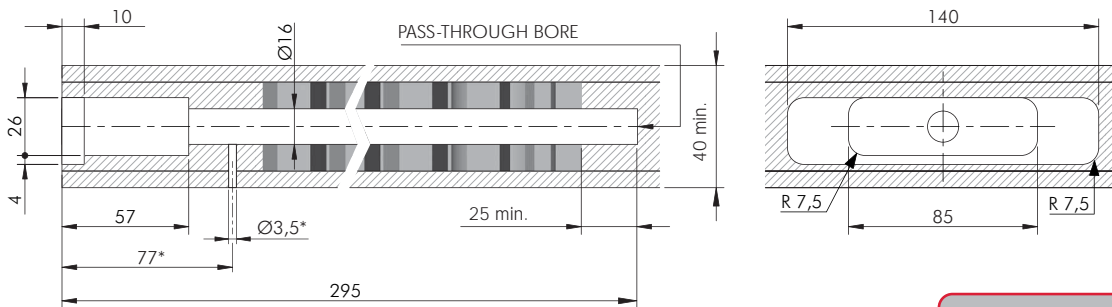
TRIADE PRO XXL AND BRACKET



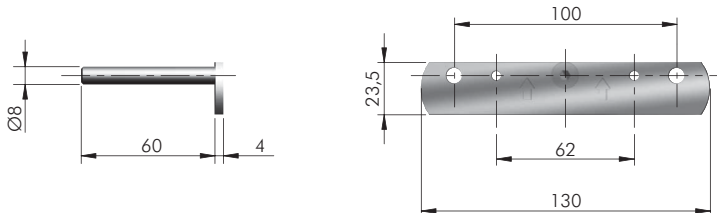
OPTIONAL SECURITY LOCKING



It is the responsibility of the customer: to ensure the wall is of a suitable quality to hold the shelf fixing in place and to use the proper hardware fittings according to the construction of the wall. For more specific information, please refer to the WARNINGS section at the end of the catalogue.



* Optional drilling for security locking with M4 grub screw placed underneath in alignment with the cavity. For details refer to Triade Pro XXL section.



FIXING ACCESSORY



ST	= 100 pcs.
123	
16215030ZN	

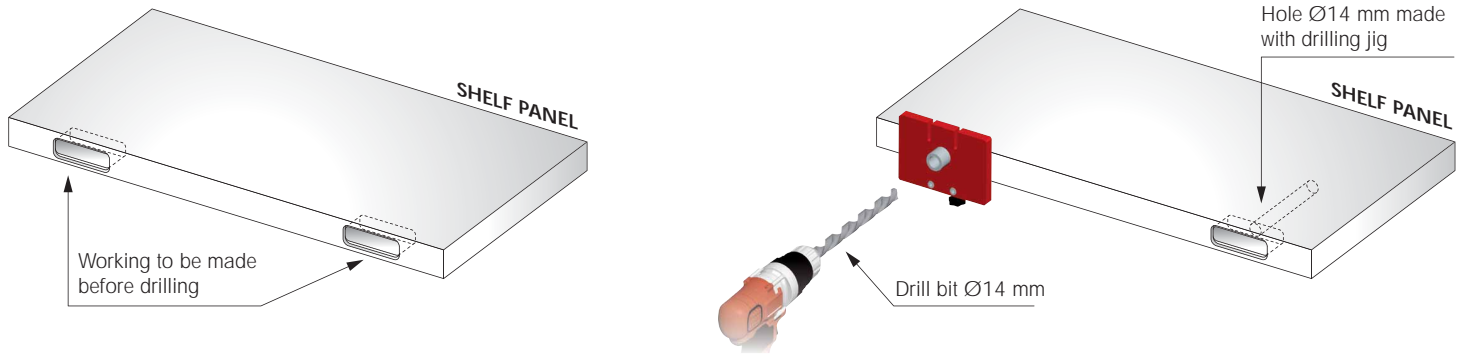
= M5	= PZ2	
ST	= 7000 pcs.	
123		
60334030ZN		

DRILLING JIG FOR TRIADE PRO

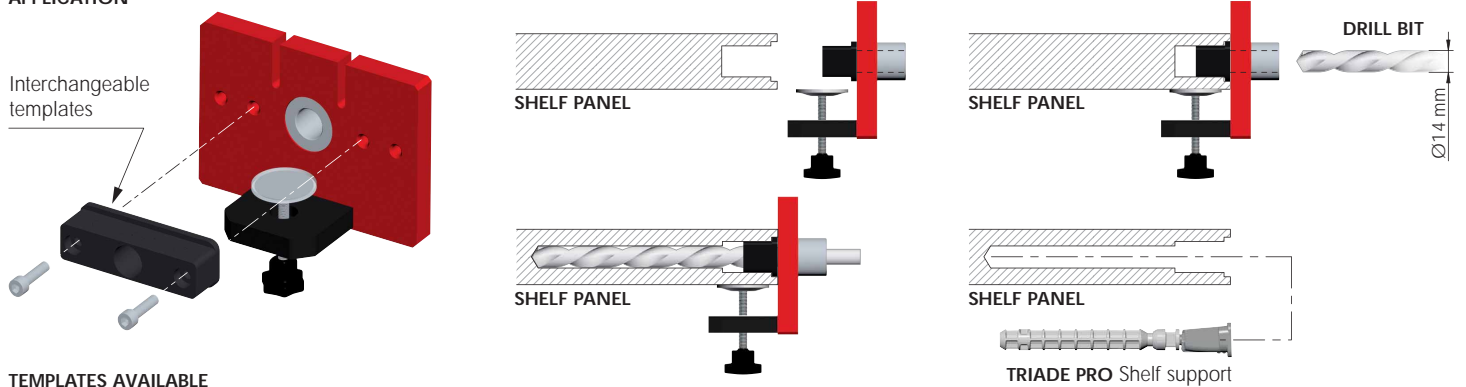


50 mm MAX

GENERAL SPECIFICATIONS



APPLICATION



TEMPLATES AVAILABLE

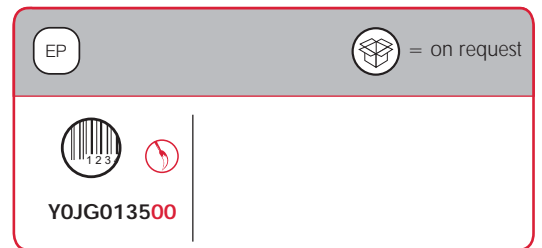
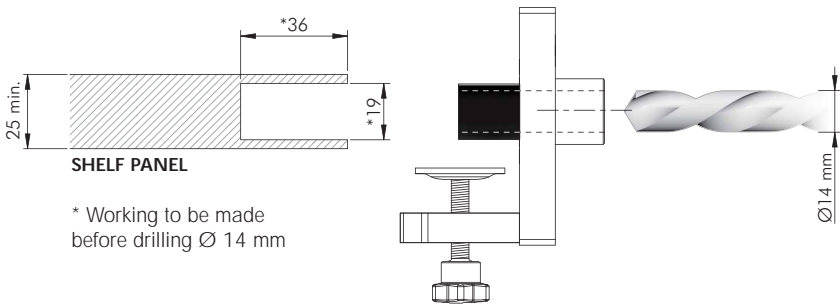
TEMPLATE FOR TRIADE PRO MINI Part no. YOJG013500	TEMPLATE FOR TRIADE PRO Part no. YOJG013600	TEMPLATE FOR TRIADE PRO MAXI Part no. YOJG013700	TEMPLATE FOR TRIADE PRO MINI AND TRIADE PRO ALUMINIUM PROFILE Part no. YOJG013800	TEMPLATE FOR TRIADE PRO MAXI ALUMINIUM PROFILE Part no. YOJG013900
Triade Pro Mini	Triade Pro	Triade Pro Maxi	Alu. profile for Triade Pro Mini and Triade Pro	Alu. profile for Triade Pro Maxi
Triade Pro Mini and Bracket	Triade Pro and Bracket	Triade Pro Maxi and Bracket	Triade Pro Mini	Triade Pro Maxi

TRIADE PRO DRILLING JIG

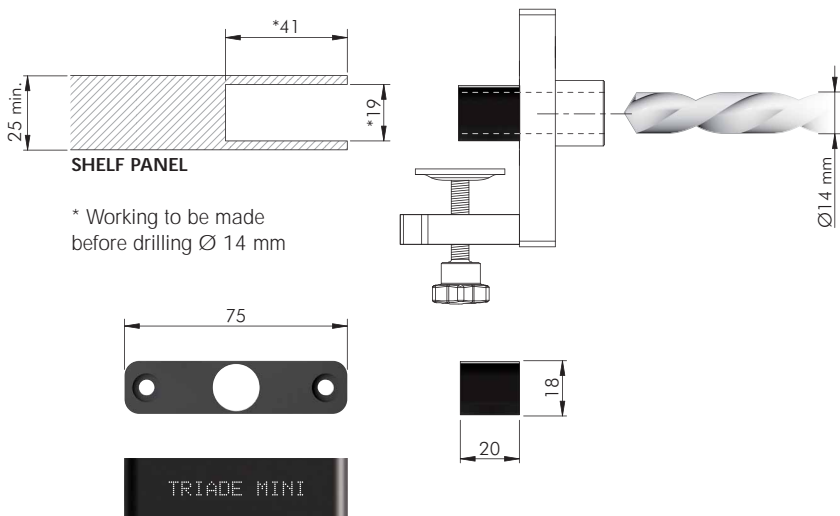


TRIADE PRO DRILLING JIG TEMPLATES

TRIADE PRO MINI DRILLING PLAN



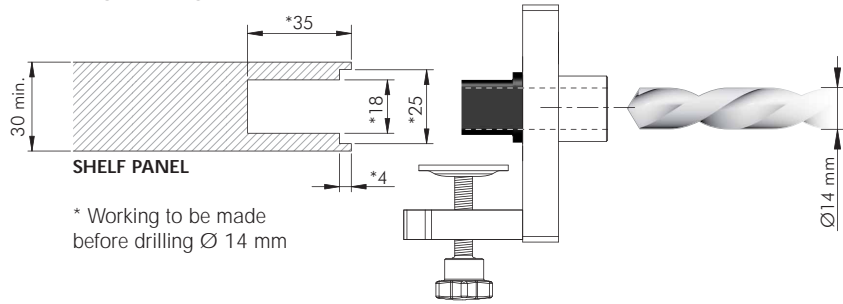
TRIADE PRO MINI AND BRACKET DRILLING PLAN



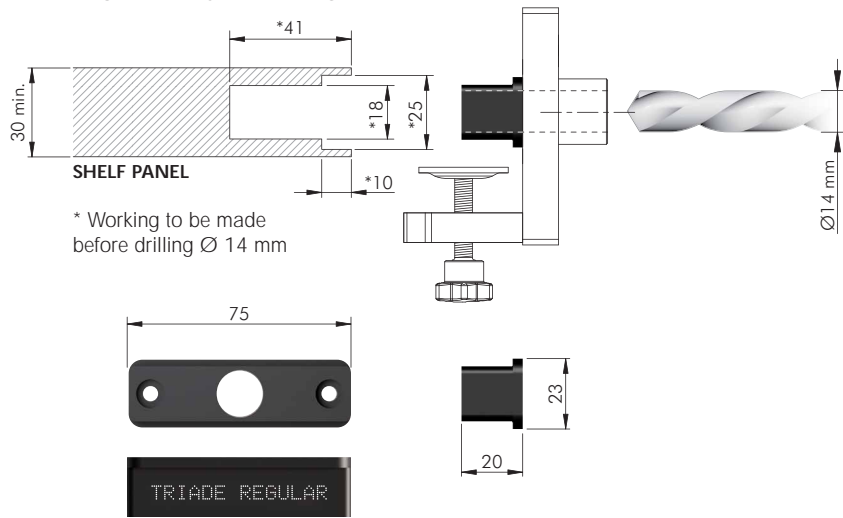
NOTE: The product code includes the fixing screws.



TRIADE PRO DRILLING PLAN



TRIADE PRO AND BRACKET DRILLING PLAN



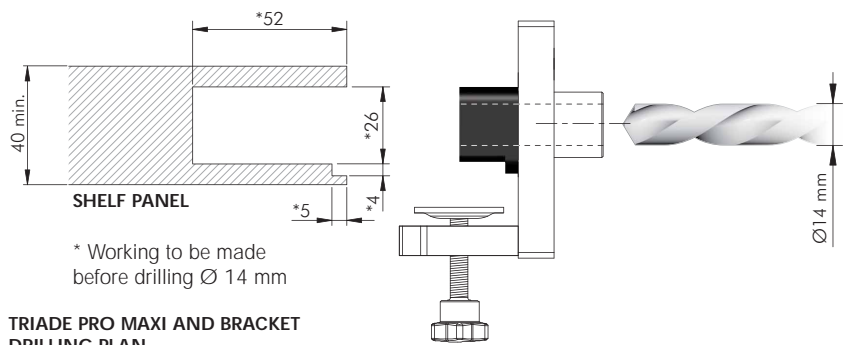
EP = on request

YOJG013600

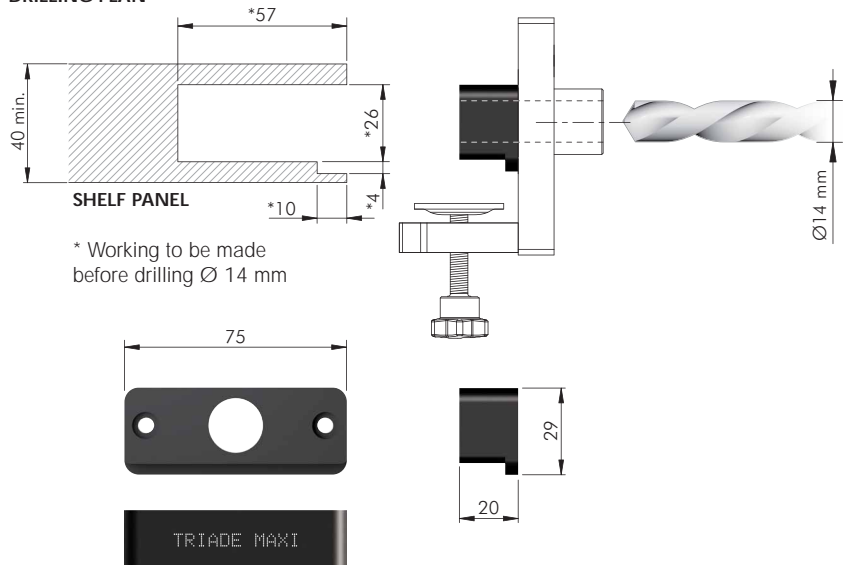
NOTE: The product code includes the fixing screws.



TRIADE PRO MAXI DRILLING PLAN



TRIADE PRO MAXI AND BRACKET DRILLING PLAN



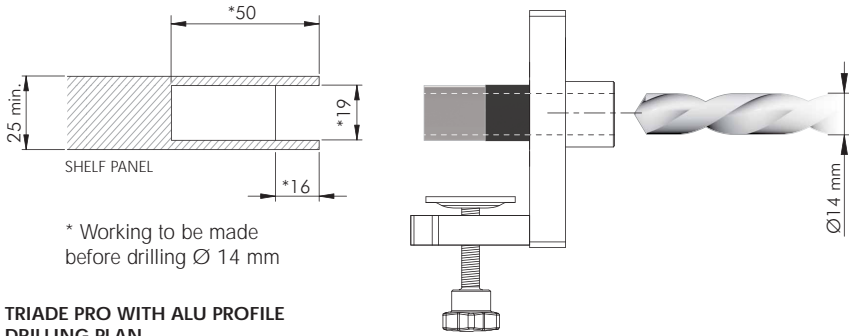
EP = on request

YOJG013700

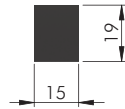
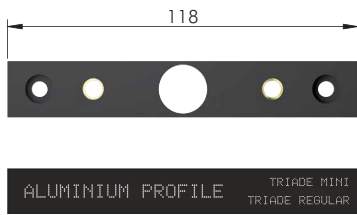
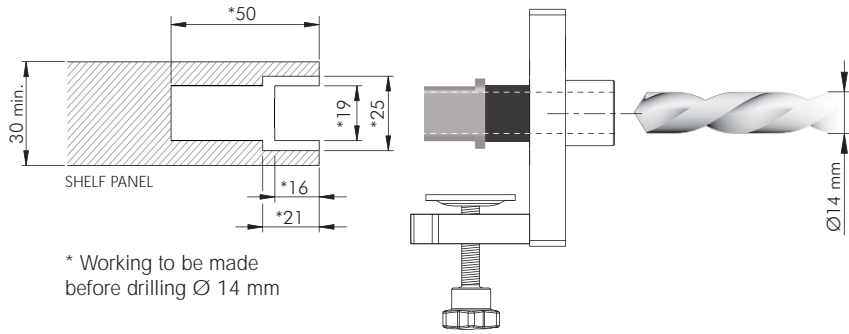
NOTE: The product code includes the fixing screws.



TRIADE PRO MINI WITH ALU PROFILE DRILLING PLAN



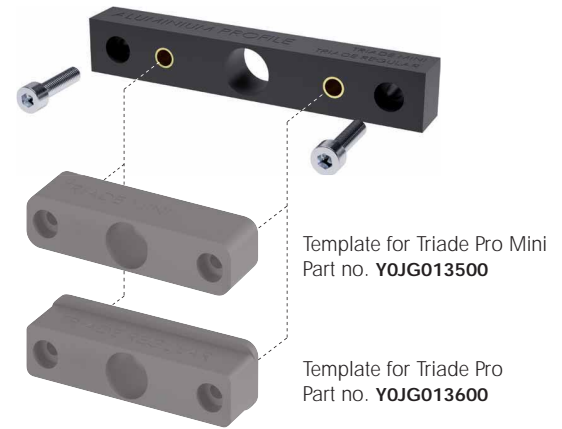
TRIADE PRO WITH ALU PROFILE DRILLING PLAN



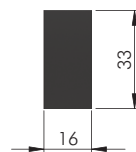
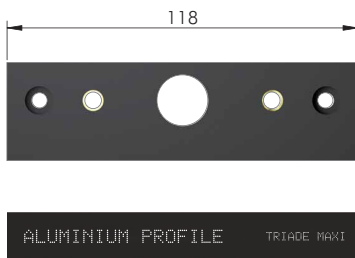
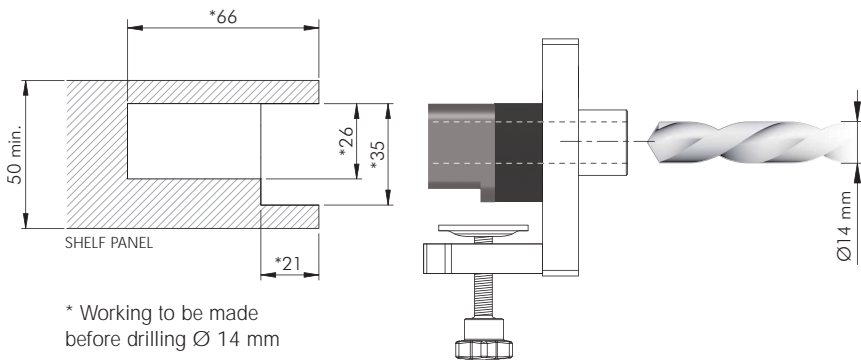
EP = on request

123

Y0JG013800



TRIADE PRO MAXI WITH ALU PROFILE DRILLING PLAN



EP = on request

123

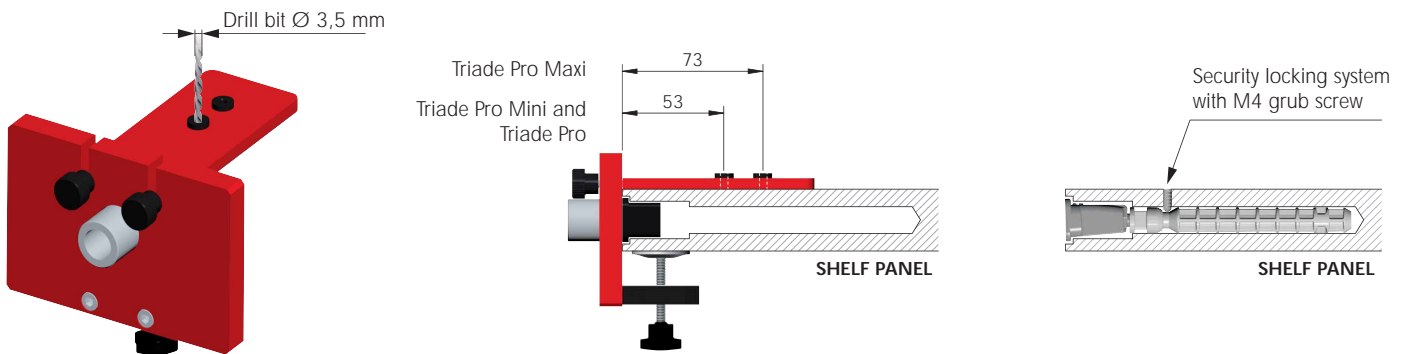
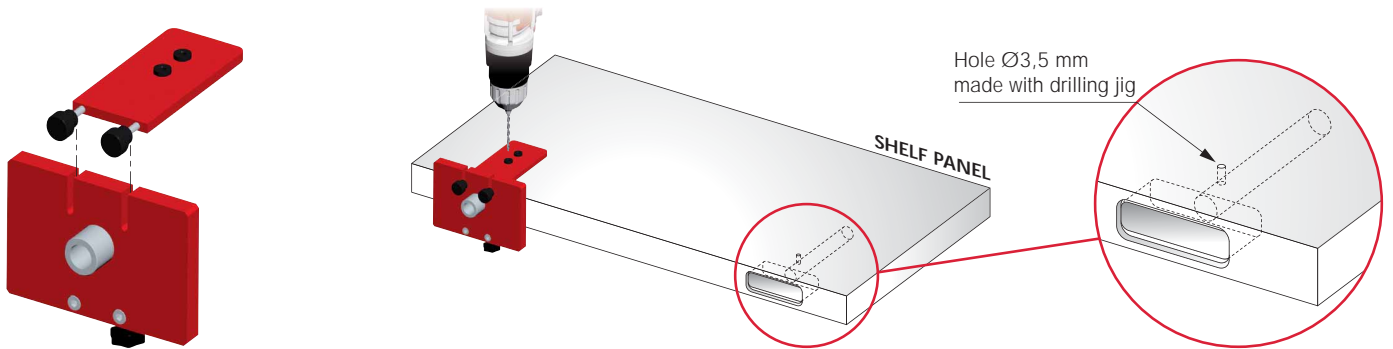
Y0JG013900



TRIADE PRO DRILLING JIG INSERT FOR SECURITY LOCKING



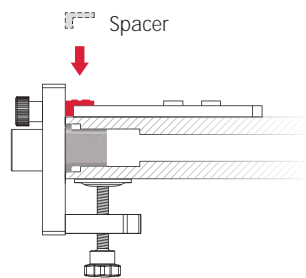
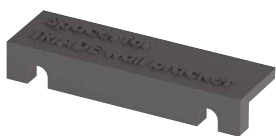
GENERAL SPECIFICATIONS



SPACERS AVAILABLE

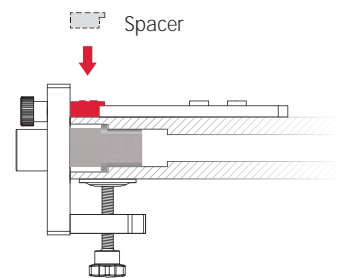
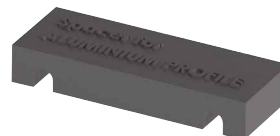
SPACER FOR TRIADE PRO WALL BRACKETS

Part no. YOJG054900

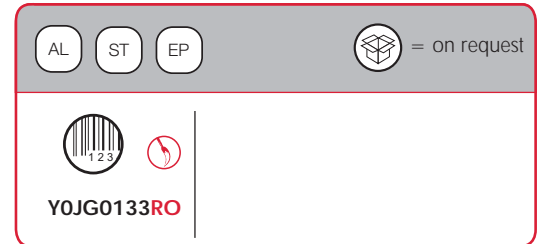


SPACER FOR TRIADE PRO ALUMINIUM PROFILES

Part no. YOJG055000



DRILLING JIG INSERT FOR SECURITY LOCKING



SPACERS FOR SECURITY LOCKING

